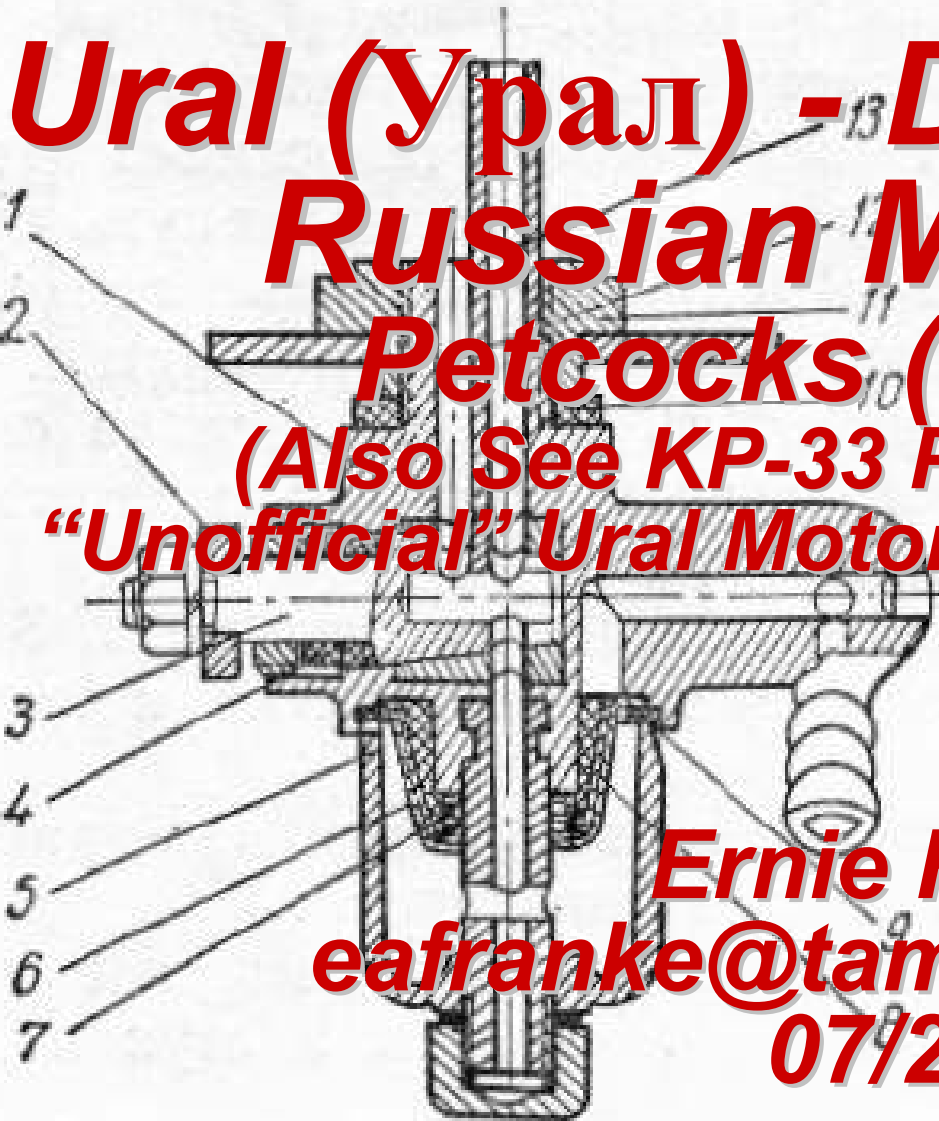


Ural (Урал) - Днепр (Днепр) Russian Motorcycle Petcocks (Fuel Taps)

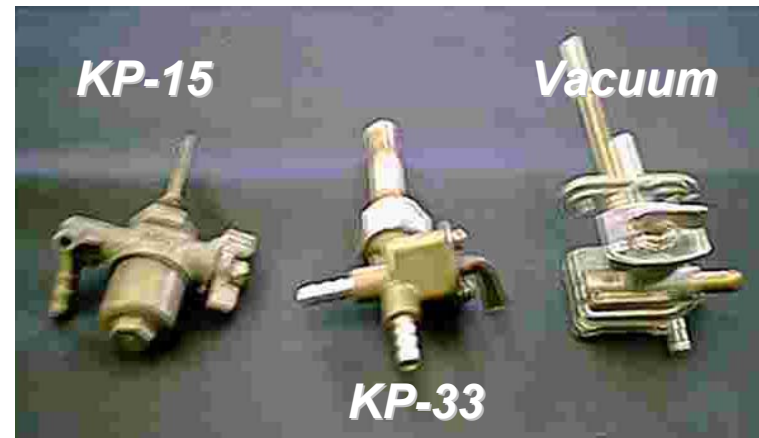
**(Also See KP-33 Petcock Chap 9 of
"Unofficial" Ural Motorcycle Service Manual)**



**Ernie Franke
eafranke@tampabay.rr.com
07/2011**

What is a Fuel Petcock? (wikipedia)

- **Three Main Versions: KP-15 Manual, KP-33 Manual and Vacuum Petcock**
- **Ural and Dnepr Motorcycles Have Manual-Selection Fuel Petcock Valves, Mounted on the Fuel Tanks to Control Supply of Gasoline**
 - **Manual Petcock Has Three Positions: On, Off and Reserve**
 - Reserve Position Accesses Bottom Portion of Fuel in Tank
 - Especially Useful on Russian Motorcycles, which Don't Have a Fuel Gauge
- **Fuel Management Process**
 - **Petcock Set to "OFF" Position when Motorcycle Is Not Operated**
 - Eliminate Fuel Overflow and Leakage via Carburetor
 - **Before Starting, Petcock Turned to "ON" Position to Provide Fuel to System**
 - **When Fuel Consumption Falls below Main Tube:**
 - Continued Operation Maintained by Rotating Petcock Valve to "Reserve" Position
- **Modern Ural Motorcycles Now Have Automatic, Vacuum-Operated Petcocks**
 - "On" and "Reserve," as Well as "Prime" Position
 - "Prime" Bypasses Vacuum Operation to Allows Fuel Flow to Carburetor without Engine Turning Over
 - Early Vacuum Petcocks Used Adapter Nut (Bifurcated) to Adapt to KP-33 Connection to External Threads of Gas Tank
- **Directly-Mounted Ural Vacuum Petcock**
 - Mounted Directly on Bottom of Gas tank
 - Introduced Late 2006 or Early 2007
 - No Adapter Nut Needed

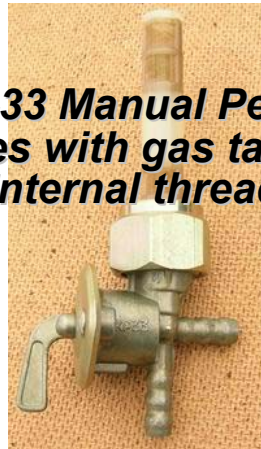


Petcock (cont.)

- **Manual Main/Reserve Fuel Valve**
 - Select between Two Tubes to Get Fuel from Fuel Tank
 - One Tube Near the Bottom of Tank (Reserve Inlet Pipe)
 - Other Tube about an Inch Higher (Main Inlet Pipe)
 - Normal 'ON' Position Gets Fuel from Tube with Higher Opening
 - When It Runs Dry, Manually Switch to 'Reserve'
 - Yields Enough Range to Make It to Next Gas Station
- **Modern Vacuum Petcocks Have No "OFF" Position**
 - Vacuum Valve Automatically Shuts Off Fuel when Engine Stops
 - Three Positions of Vacuum Petcock Lever:
 - Prime: Overrides Vacuum System to Allow Dry Carburetors To Be Refilled
 - Never Leave Petcock in "PRI" Position after Carbs Are Full
 - Carbs Can Flood, Engine Might Not Shut-Off if You Drop the Bike
 - "On" and "Reserve" Held Open by Vacuum from Intake Manifold
- **Tips:**
 - Fill Tank and Zero Trip-Odometer
 - Check the Range of a Full Tank, without the Reserve
 - When Trip-Odometer Reads 90% of Range, Refill the Tank
 - Eliminates Use of Reserve, and Days Spent Getting Crud Out of the Carbs



KP-15A Manual Petcock
(mates with gas tank with external threads)



KP-33 Manual Petcock
(mates with gas tank with internal threads)



Vacuum Petcock
(with adapter to mate with gas tank with external threads)



Vacuum Petcock
(mounts directly on bottom of gas tank)

Main Types of Petcocks for Russian Motorcycles

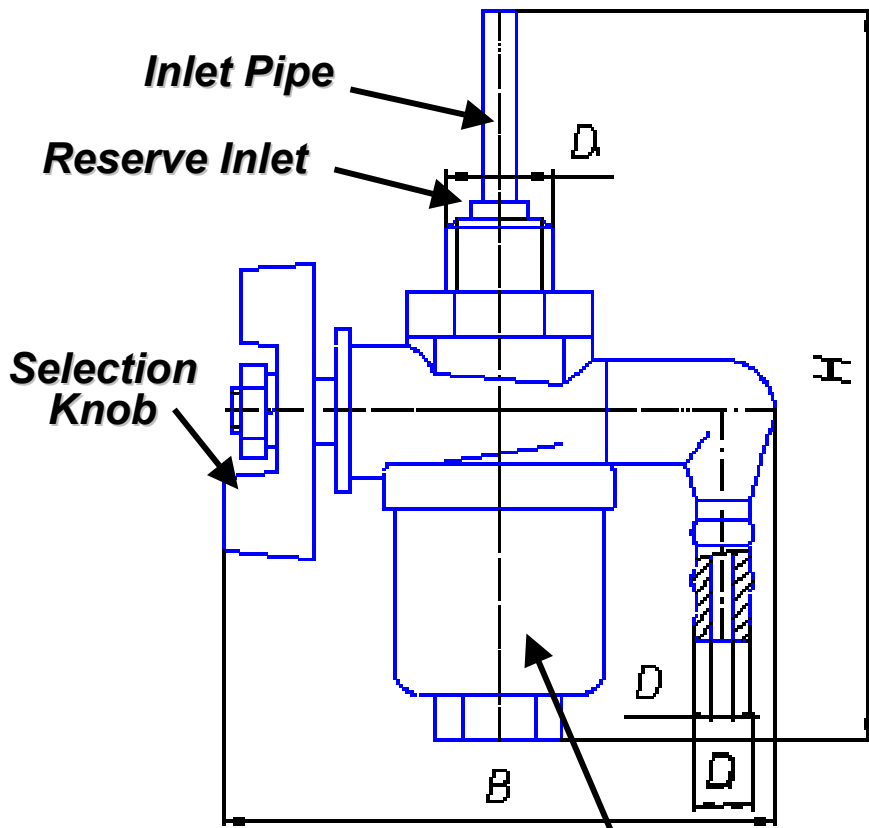
- **Manual Fuel Petcock: KP-15A ('6310030) 72103-A**
 - 750/650 cc Engines
 - Used on Gas Tank with Internal Threads
 - Widely Available on Internet
 - Petcock KP-15A Replacement: '01Z3254190B
- **Manual Fuel Petcock: KP-33 ('IMZ-8.103-10030)**
 - 750/650 cc Engines
 - Used on Gas Tank with External Threads
 - No Longer Available
 - Petcock KP-33 Replacement: 'VIC15 and Yamaha 4WM-24500-02-00
- **Vacuum (under-pressure) Fuel Petcock, with Adapter**
 - 650 cc: IMZ-8.103-10030
 - 750/650 cc: IMZ-8.1037-10064
 - Flat Plat, plus Adapter, on Gas Tank with External Threads
 - Yamaha 4WM-24500-02-00 for non-Automatic Operation
- **Vacuum (under-pressure) Fuel Petcock : IMZ-8.1037-10022**
 - 750 cc, Urals, Late 2006 and Beyond
 - Mounts Directly to Flat Plate on Bottom of Gas Tank
 - Yamaha 4WM-24500-02-00 for non-Automatic Operation
- **Standard Flow Rate**
 - Measure Flow Rate for a Minute with Both Lines Flowing at the Same Time
 - Each Fuel Line Flow Should Be at Least 6 oz of Fuel in 15 secs, 24 Oz per min.
 - Dividing by 128 oz in a Gallon, that Yields in excess of 10 gal/hr

The evolution of the gas petcock from manual to automatic (vacuum) is further divided into gas tank interfaces (internal or external threads) and adapter or direct-mount.

Table I: Ural (Урал) and Dnepr (Днепр) Fuel Petcocks, Gas Tanks and Gaskets

<i>Mfgr</i>	<i>Model</i>	<i>Year</i>	<i>Engine Size (cm³ / inch³)</i>	<i>Petcock</i>	<i>Gas Tank</i>	<i>Washer (Gasket)</i>
<i>Ural</i>	<i>M-72</i>	<i>1941-56</i>	<i>746 / 45.3 SV</i>	<i>KP-12 and 72103 / KP-15</i>	<i>7210171-Б</i>	<i>011407 / ø14</i>
	<i>M-72K</i>	<i>1954-60</i>	<i>746 / 45.3 SV</i>	<i>KP-15A</i>	<i>7210171-Б</i>	<i>011407 / ø14</i>
	<i>M-72M</i>	<i>1956-60</i>	<i>746 / 45.3 SV</i>	<i>KP-15A</i>	<i>7210171-Б</i>	<i>011407 / ø14</i>
	<i>M-61</i>	<i>1958-60</i>	<i>649 / 39.4 OHV</i>	<i>KP-15A</i>		
	<i>M-62</i>	<i>1960-65</i>	<i>649 / 39.4 OHV</i>	<i>KP-15A</i>	<i>6310155- Б1</i>	<i>011407 / ø14</i>
	<i>M-63 (Ural-2)</i>	<i>1965-68</i>	<i>649 / 39.4 OHV</i>	<i>KP-15A</i>		
	<i>M-66 (Ural-3)</i>	<i>1968-72</i>	<i>649 / 39.4 OHV</i>	<i>KP-15A</i>		
	<i>M-67</i>	<i>1973-75</i>	<i>649 / 39.4 OHV</i>	<i>KP-15A</i>		
	<i>M-67.36</i>	<i>1976-95</i>	<i>649 / 39.4 OHV</i>	<i>KP-15A/IMZ-8.103-10030 ('6310030)</i>	<i>6310001-03 & 6310004-02</i>	<i>011407 / ø14</i>
	<i>8.103, 8.107 Series "650"</i>	<i>1994-2002</i>	<i>649 / 39.4 OHV</i>	<i>KP-33/IMZ-8.103-10030 + Adapter</i>	<i>6310004-02</i>	<i>011407 / ø14</i>
	<i>8.1037 "750"Series</i>	<i>2003-2006</i>	<i>745 / 45.2 OHV</i>	<i>TGO-27-100-UR + Adapter</i>	<i>IMZ-8.1037-10004-X</i>	
<i>8.1037 "750"Series</i>	<i>2007-present</i>	<i>745 / 45.2 OHV</i>	<i>IMZ-8.1037-10064</i>	<i>IMZ-8.1037-10004-X</i>		
<i>Dnepr</i>	<i>M-72</i>	<i>1952-56</i>	<i>746 / 45.3 SV</i>	<i>72103-A / KP-15A</i>	<i>7210171-Б</i>	<i>011407 / ø14</i>
	<i>M-72H</i>	<i>1956-59</i>	<i>746 / 45.3 SV</i>	<i>72103-A / KP-15A</i>	<i>7210171-Б</i>	<i>011407 / ø14</i>
	<i>K-750</i>	<i>1959-63</i>	<i>746 / 45.3 SV</i>	<i>72103-A / KP-15A</i>	<i>7210171-Б</i>	<i>011407 / ø14</i>
	<i>K-750M</i>	<i>1963-77</i>	<i>746 / 45.3 SV</i>	<i>72103-A / KP-15A</i>	<i>7210171-Б</i>	<i>011407 / ø14</i>
	<i>MB-750</i>	<i>1964-73</i>	<i>746 / 45.3 SV</i>	<i>72103-A / KP-15A</i>	<i>7210171-Б1</i>	<i>011407 / ø14</i>
	<i>K-650/MT-8</i>	<i>1967-70</i>	<i>649 / 39.4 OHV</i>	<i>KP-15A</i>		<i>011407 / ø14</i>
	<i>MB-650</i>	<i>1968-91</i>	<i>649 / 39.4 OHV</i>	<i>KP-15A / 1305010</i>	<i>KMZ-8.15110100</i>	<i>011407 / ø14</i>
	<i>K-650/MT-9</i>	<i>1971-74</i>	<i>649 / 39.4 OHV</i>	<i>KP-15A</i>	<i>7210171-Б1</i>	<i>011407-II</i>
	<i>MB-750M</i>	<i>1973-77</i>	<i>746 / 45.9 SV</i>	<i>KP-15A</i>		
	<i>MT-10</i>	<i>1973-76</i>	<i>649 / 39.4 OHV</i>	<i>KP-15A</i>	<i>7210171-Б1</i>	<i>011407-II</i>
	<i>MB-650M</i>	<i>1974</i>	<i>649 / 39.4 OHV</i>	<i>KP-33</i>		
	<i>MT-10.36</i>	<i>1976-87</i>	<i>649 / 39.4 OHV</i>	<i>KP-15A</i>		
	<i>MT-12</i>	<i>1977-85</i>	<i>746 / 45.3 SV</i>	<i>72103-A / KP-15A</i>	<i>7210171-Б1</i>	<i>011407</i>
	<i>MB-650-M1</i>	<i>1985-2007</i>	<i>649 / 39.4 OHV</i>	<i>KP-15A</i>		
	<i>MT-16 (Dnepr-16)</i>	<i>1985-2005</i>	<i>649 / 39.4 OHV</i>	<i>KP-15A/1305010</i>	<i>KMZ-8.15110100</i>	<i>011407 / ø14</i>
<i>MT-11(Dnepr-11)</i>	<i>1987-2005</i>	<i>649 / 39.4 OHV</i>	<i>KP-15A/1305010</i>	<i>KMZ-8.15110100</i>	<i>011407 / ø14</i>	

Кран Мопливный КР-12 (РРЗ) (www.vipra.by.ru and aukro.ua)



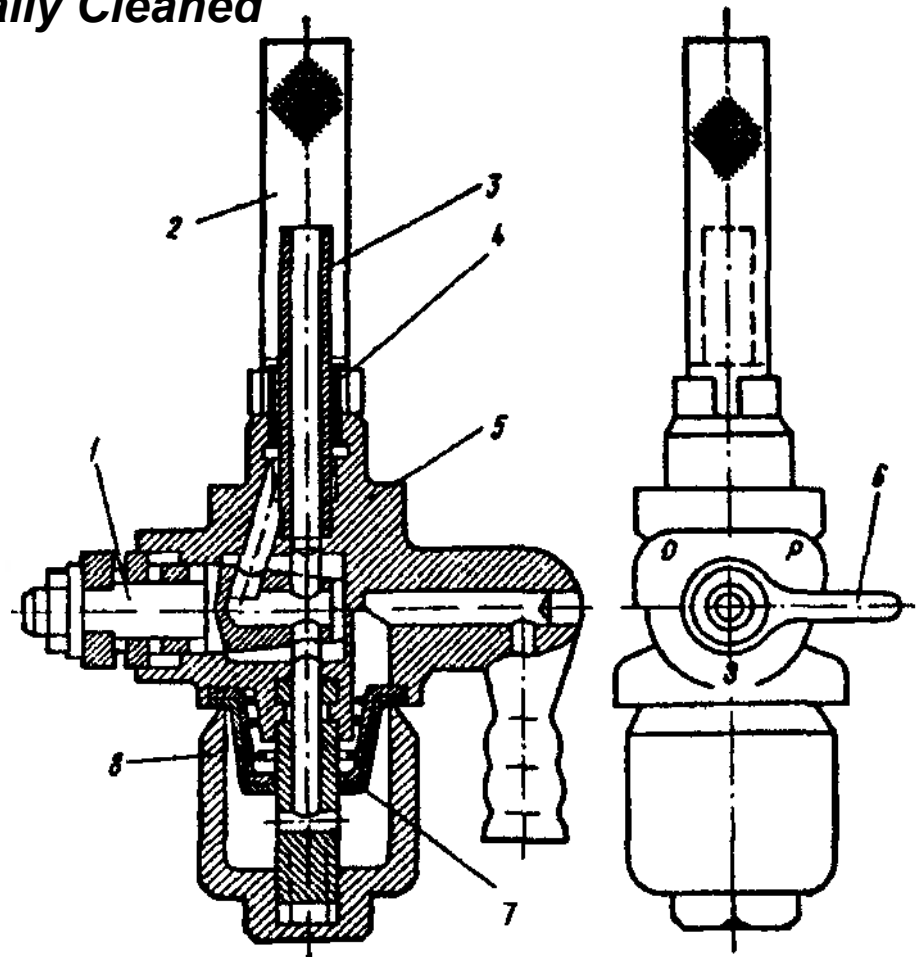
H= 98 mm
B= 73 mm
D= 3 mm
D1 =8 mm
Thread= M14x1.5



Early M-72's used the KP-12 petcock, with a single outlet nozzle, later replaced by the KP-15A with two outlet nozzles.

Fuel Flow in KP-12 Manual Petcock

- **Settler Bowl (8) with Mesh Filter (7) at Bottom of Valve**
- **Fuel Enters Inlet Pipe (3) or Reserve Port (4)**
- **Petcock Has Three Working Positions**
 - In "3" Position, Valve Is Closed, Handle Turned Down
 - In "O" Position, Primary Fuel Path thru Long Tube (3), Knob Turned Left
 - In "P" Position, Reserve Fed thru Short Tube (4), Handle Faucet Turned Right
- **Strainer Bowl (8) Cleans Fuel and Deposits Impurities in the Sump**
 - Strainer in Sump Should Be Periodically Cleaned



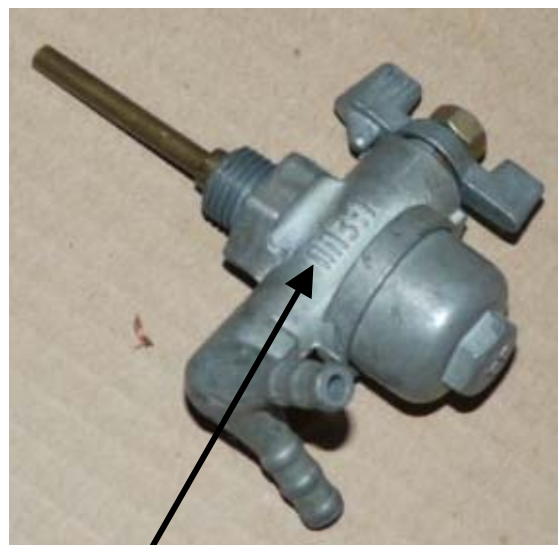
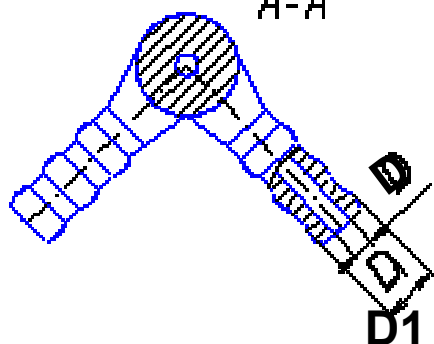
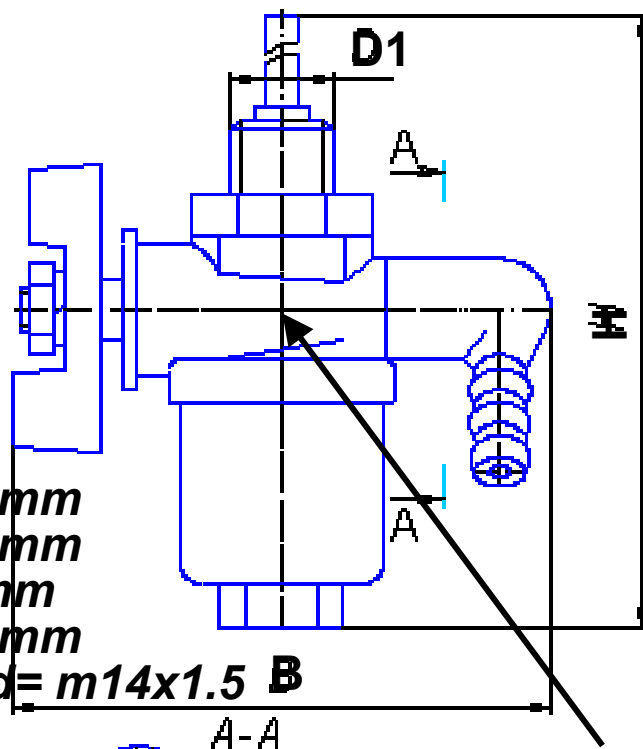
KP-15 with Single-Sided “flag” Lever

(www.ural-dnepr.net and moto-boxer.com)

- **KP-15 with Single-Sided Lever (Flag) Found on Early (M-72 / K-750) Bikes**
- **Later Replaced with Double-Side Lever**
- **Probe Extends at Least 5 mm (2”) above Surrounding Sheet Metal**



Кран Моливный ППЗ-1, КР-15А (www.vipra.by.ru)

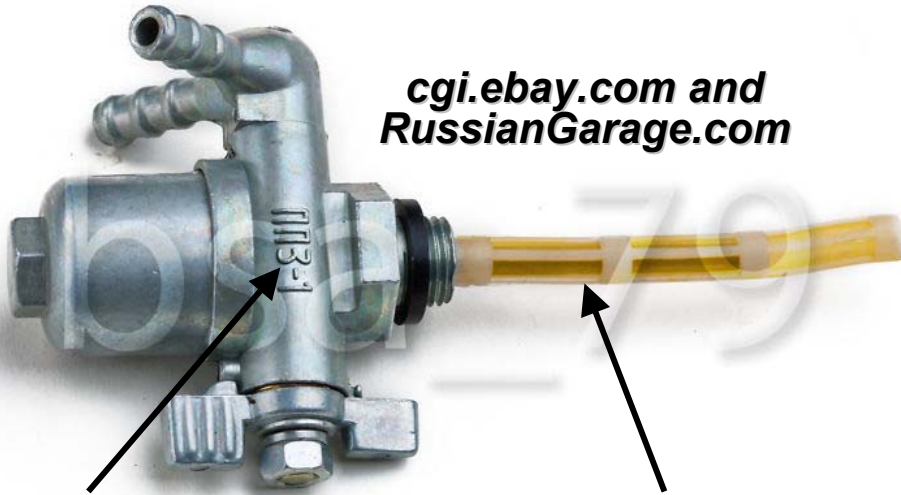


Look for the cyrillic
(Russian) ППЗ-1 on the
side of the valve



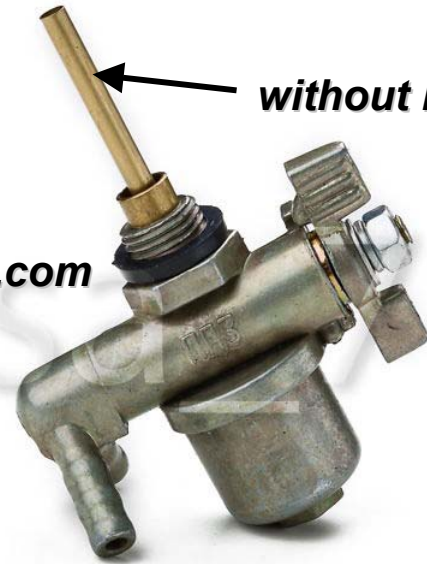
The KP-15A was designed to filter sediment and shut-off fuel from the gas tank with two outlet nozzles.

72103-A / KP-15A Fuel Petcock for Ural/Dnepr



cgi.ebay.com and
RussianGarage.com

cgi.ebay.com



without Filter Screen

PP3-1

with Filter Screen



RussianGarage.com



cgi.ebay.com



Интернет-магазин мотозапчастей www.rosopt.com

www.rosopt.com

More Views of Кран Мопливный KP-15A w/o Filter Screen



www.russianguarage.com



www.rosopt.com



www.henriksson.ee

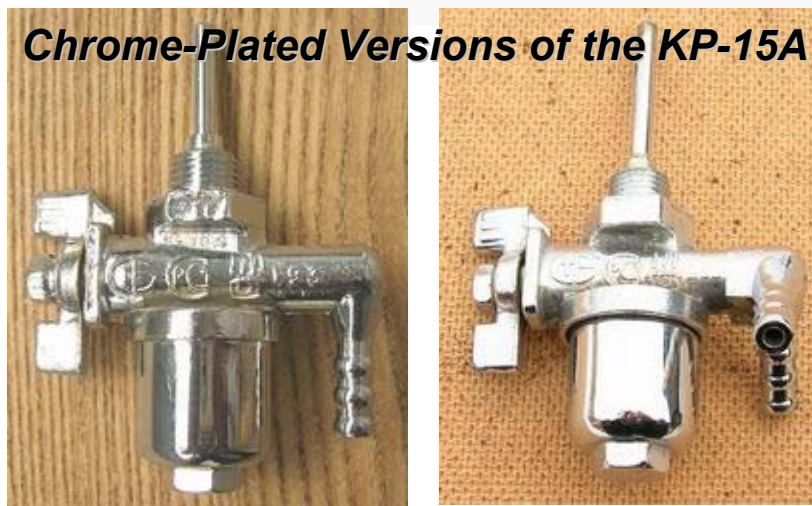


www.russianguarage.com

The M-72 staged the KP-12, then KP-15 and KP-15A petcocks.

Even More Views of Petcock 72103-A / KP-15A

- Used on Ural M-72 and Dnepr K-750
- Uses 7 mm Rubber Fuel Hose
 - Rubber Pipe Set *002.389*
 - Diameter: $d = 7\text{ mm}$
 - Lengths: $L1 = 430\text{ mm}$, $L2 = 280\text{ mm}$, $L3 = 150\text{ mm}$
 - Length of Rubber Hose *002.390*
 - Diameter: $d = 7\text{ mm}$
 - Length: $L = 1\text{ meter}$



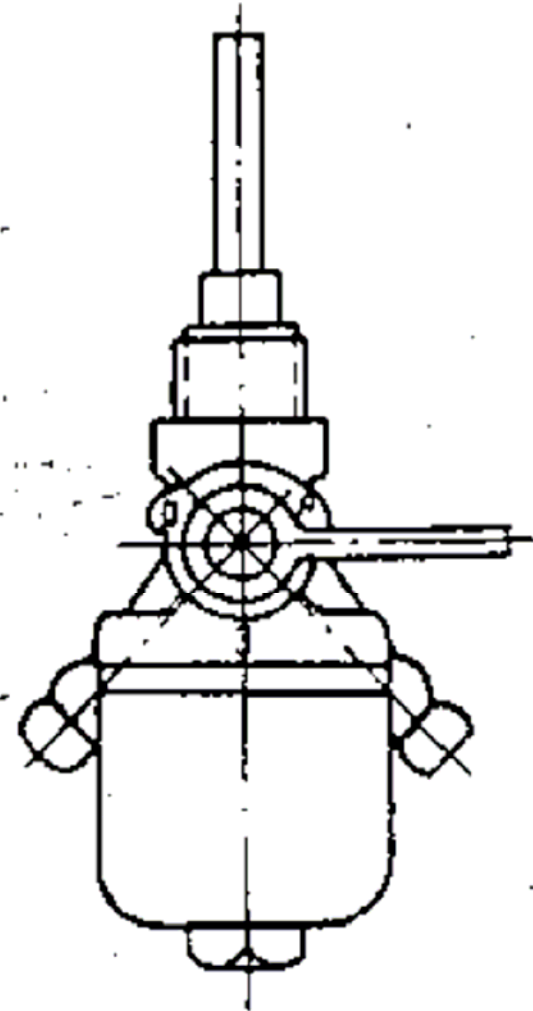
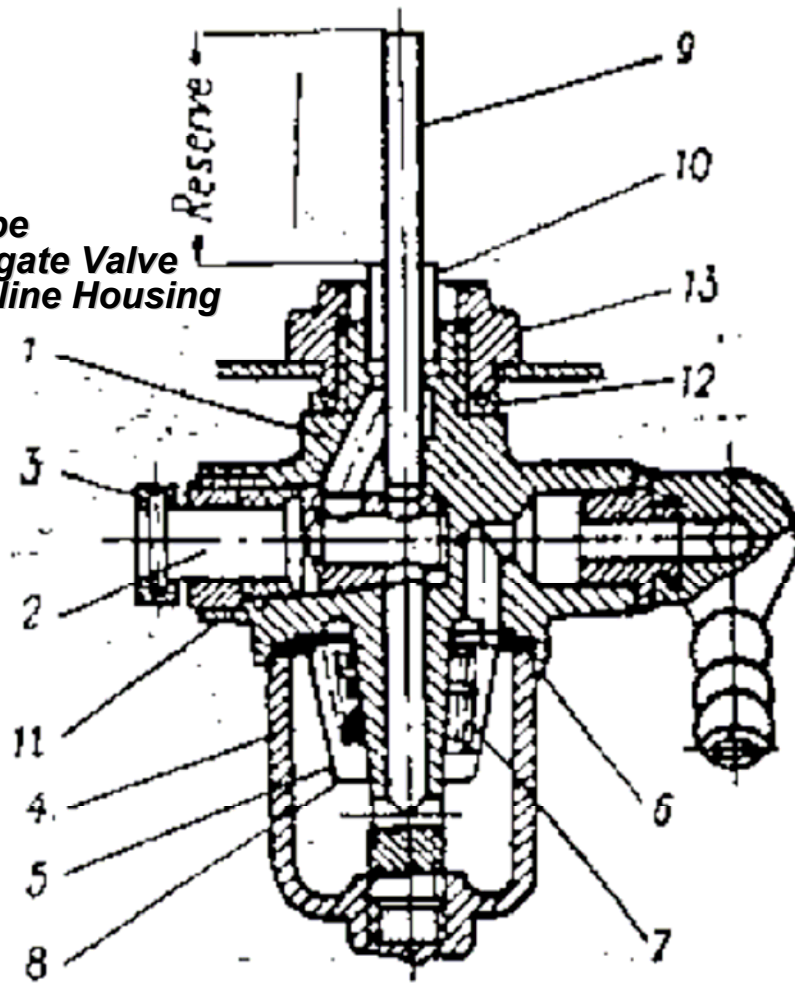
Petcock KP-15A (moto-boxer.com)

KP-15A without Screen Filter

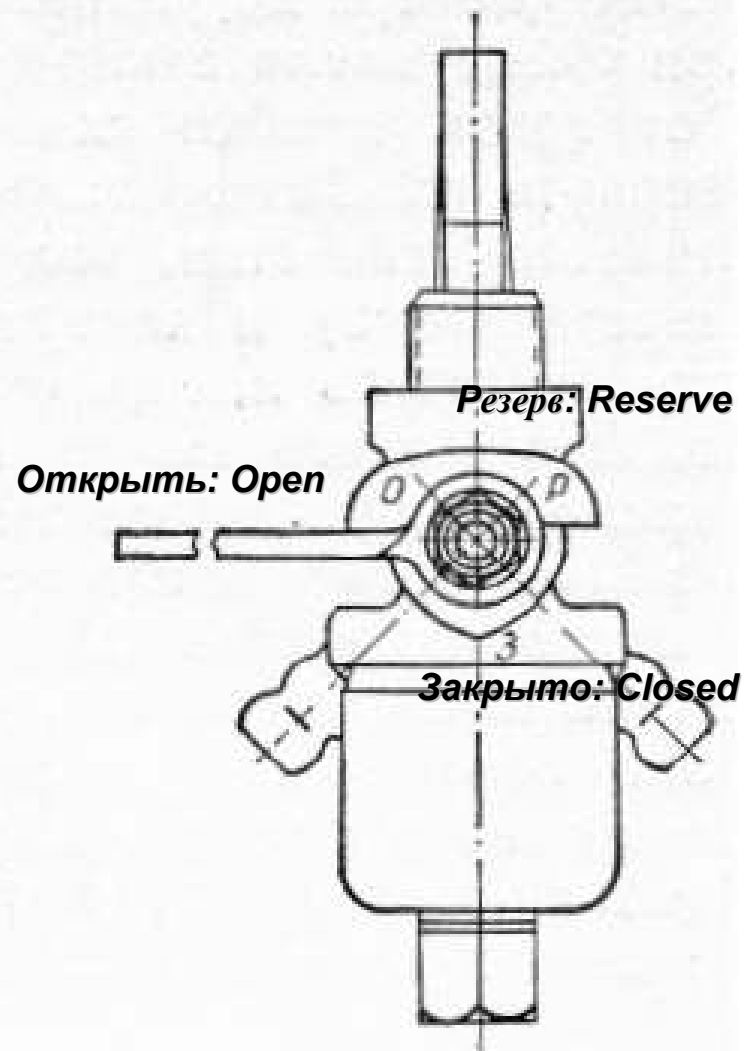
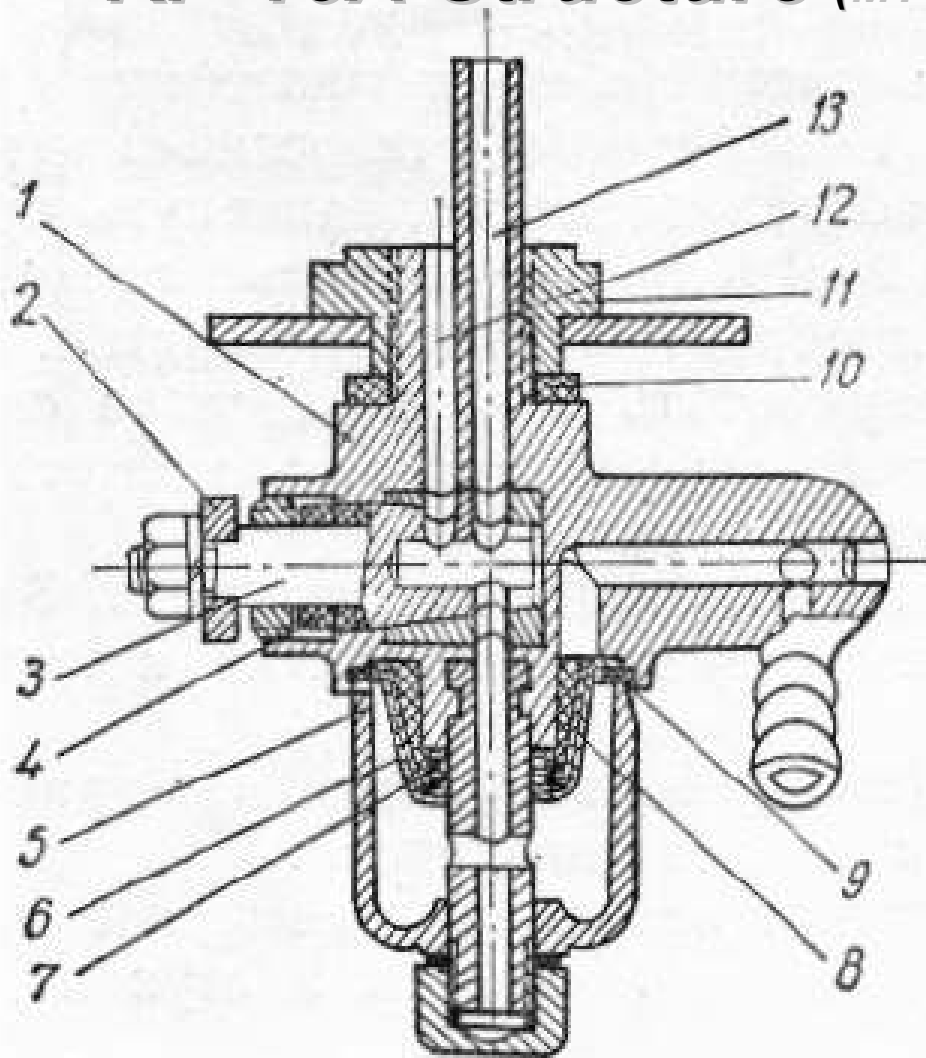


KP-15A (M-72, MT-16, M-72 (1954))

1. Housing
2. Slidegate valve
3. Hand Lever
4. Bowl
5. Filter Cup
6. Bowl Sealing Gasket
7. Filter Screen
8. Filter Feather/Spring
9. Main Gasoline Pipe
10. Reserve Gasoline Pipe
11. Sealing Disk of Slidegate Valve
12. Sealing Disk of Gasoline Housing
13. Threaded Bushing



КР-15А Structure (MT-12, MB-650M and M-63 Manual)

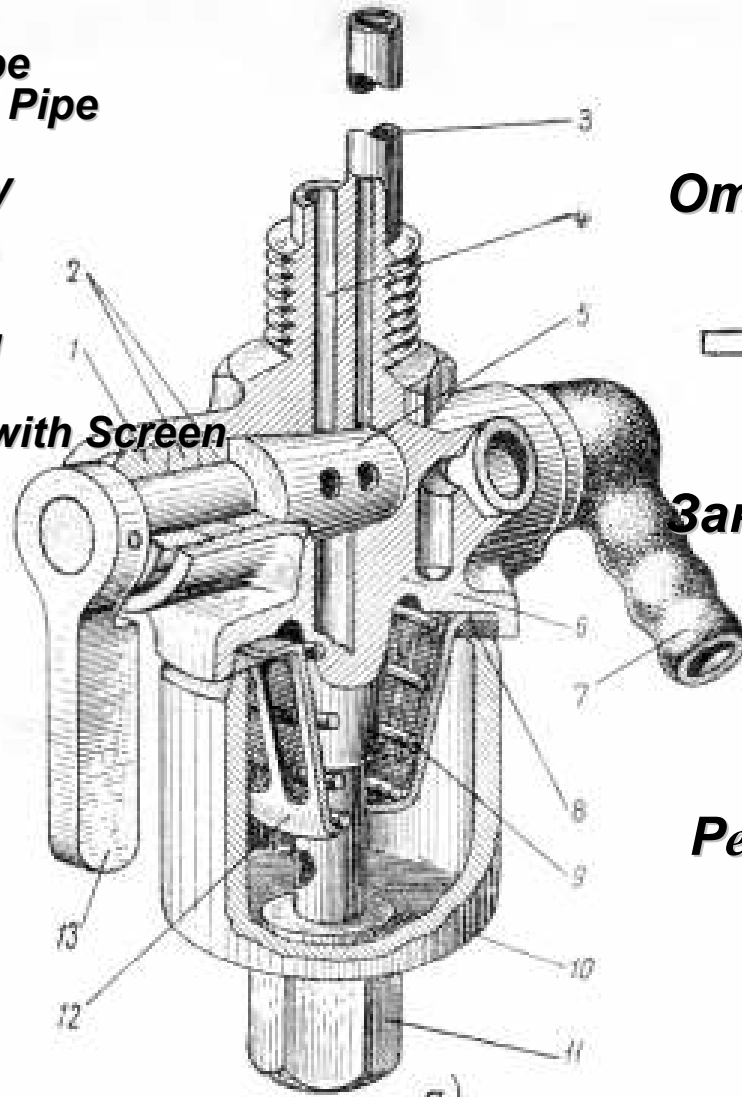


1 — корпус; 2 — рукоятка; 3 — золотник; 4 — уплотнительные прокладки золотника; 5 — отстойник; 6 — стаканчик фильтра; 7 — пружина фильтра; 8 — сетка фильтра; 9 — уплотнительная прокладка отстойника; 10 — уплотнительная прокладка корпуса бензокраника; 11 — футорка; 12 — бензопроводная трубка резервного горючего; 13 — бензопроводная трубка основного горючего

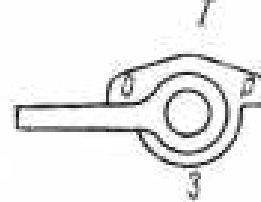
KP-15A Petcock Operation

(M-72, K-750 and M-63 Maintenance Manual)

1. Nut
2. Packing
3. Main Inlet Pipe
4. Reserve Inlet Pipe
5. Slide Valve
6. Petcock Body
7. Pipe Union
8. Packing
9. Spring
10. Settling Bowl
11. Nut
12. Filter Frame with Screen
13. Handle



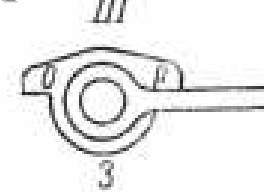
Открыть: Open



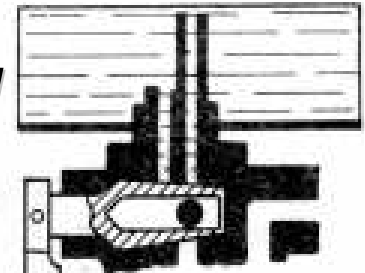
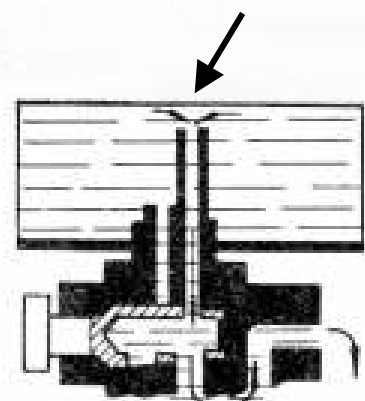
Закрывается: Closed



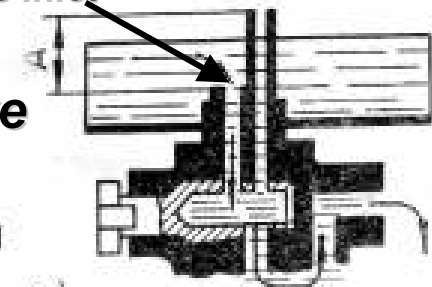
Резерв: Reserve



Main Inlet



Reserve Inlet



5)

KP-15A Petcock on Ural M-66



Petcock KP-15A Replacement (www.ural.cc)

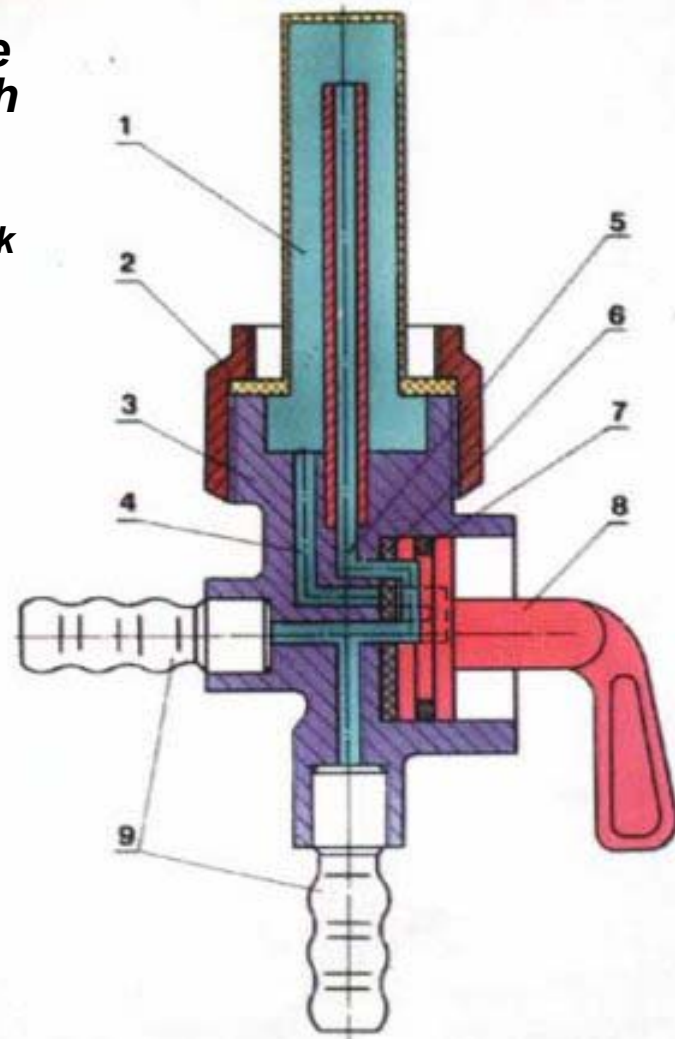
- ***Petcock Replacement for KP-15A***
- ***Model: 01Z3254190B***



Benzokran KP-33 (moto.z16.ru)

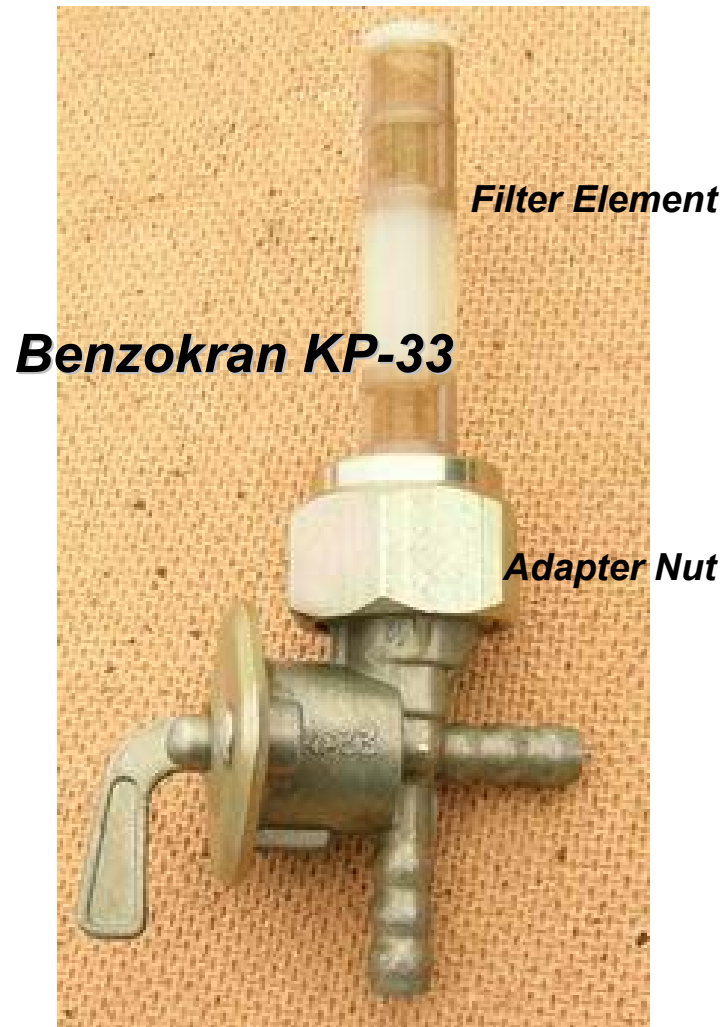
- **New Petcock (crane) More Reliability than Earlier KP-15**
- **Introduced to Ural and Dneprs in 1994 and Beyond**
- **Dissolved Sediment and Gasoline in the Filter Tube Goes thru Filter Element from the Wire Mesh, which Retains Debris and Partial Water**

1. Filter Element
2. Threaded Coupling for Connection to Fuel Tank
3. Housing
4. Reserve Fuel Channel
5. Main Fuel Channel
6. Pawl
7. Rubber O-Ring Seal
8. Handle
9. Fuel Fittings



The KP-33 valve has a fixed ring nut, allowing orientation of the handle in the correct direction.

KP-33 Manual Petcock

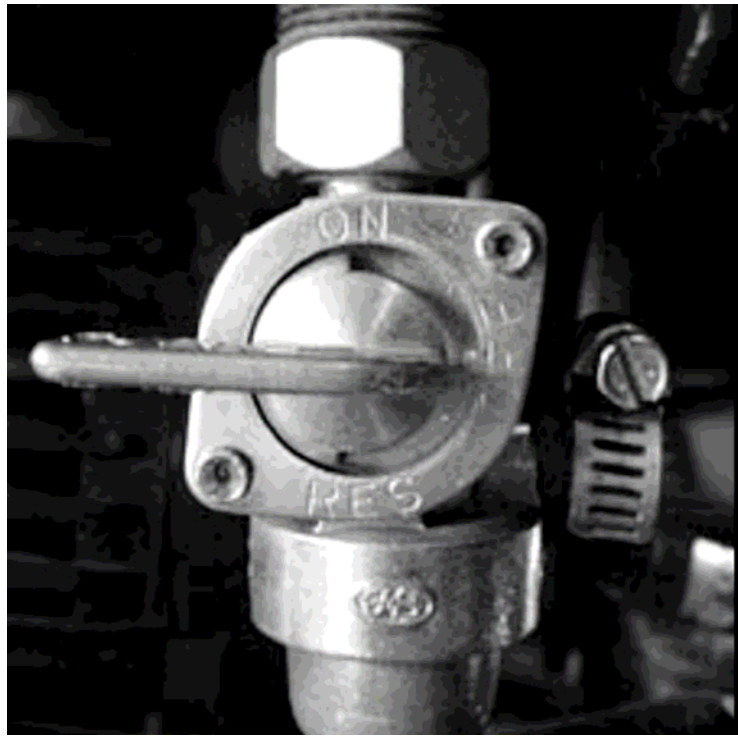


An adapter nut is used to transition from the external threads to a modern vacuum petcock.

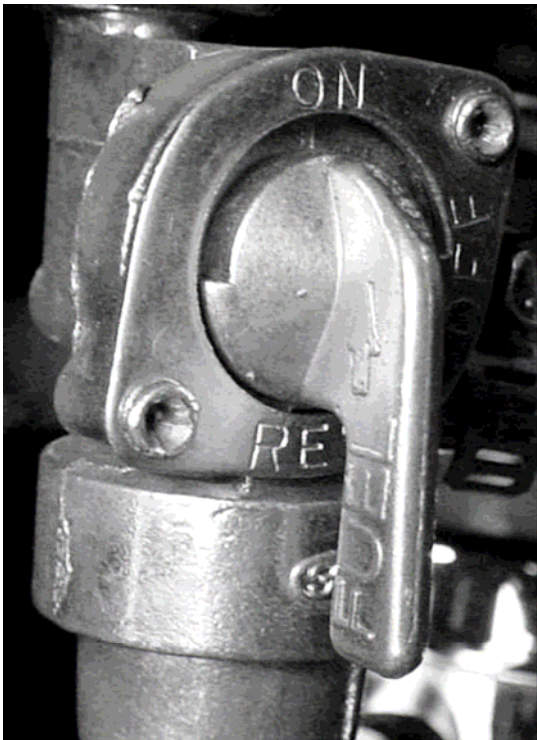
2001-2002 Bavarian, Deco, Tourist, Patrol Owners Manual

- **Manual Petcock**
- **Gasoline Petcock Positions:**

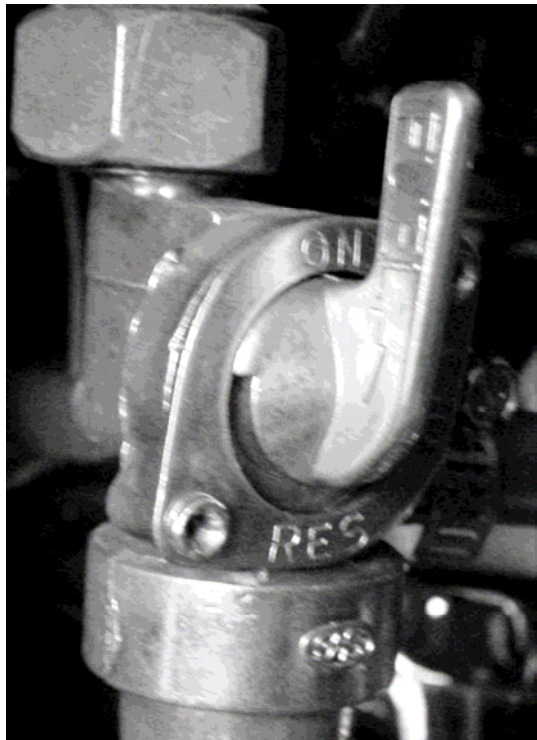
Off



On



Reserve



Note that the lever actually points in the direction of the correct position. The "flag" is opposite the desired position.

KP-33 Petcock Replacement (www.crawfordsales.info)

- **Manual Fuel Petcock KP-33 No Longer Available**
- **Fuel Valve with Adapter Can Be Bolted to any Ural Gas Tank that Has External Threads**
- **Fuel Valve Can Also Be Used to replace Vacuum Petcock on Newer Gas Tanks that Have the Flat Mount (Late 2006 / Early 2007)**
- **On, Off and Reserve Positions**

**Manual Petcock
with Adapter for
Gas Tank with
External Threads
(Thread-On)**



**Manual Petcock for Direct-Mount
(Bolt-On) for Gas Tanks
Late 2006 / Early 2007**



KP-33 Petcock Replacement: 'VIC15 (www.ural-motorcycles.com)



Filter Element

Adapter Nut to Gas Tank's External Threads

Selector Knob

Plastic "T" Fitting

Vacuum -Operated Petcock with Adapter Nut

- ***Adapter Nut Required to Transition from External Threads of Gas Tank***
- ***Adapter Nut Not Required after Late 2006/ Early 2007***
 - ***Gas Tanks Have Flat Plate Under Tanks***
 - ***Vacuum Petcock Mounted Directly to Gas Tank Flat Plate***



Vacuum Petcock Disassembled (sovietsteeds.com)

- **Photos of Vacuum Petcock and "Working" Part of that Assembly**
 - **Block Mounted to Back of Petcock, with Vacuum Chamber, Spring, Piston and Seal**
 - **Body of Petcock Contains Plumbing for On, Prime, and Reserve and Seat and Mating Piston and Seal**
 - **Vacuum Pulls Piston and Seal Out of Seat, Letting Gasoline Flow from whichever "On" or "Reserve" Setting to the Outlet**
 - **Spring, Mounted under Vacuum Block Cover, Forces Piston and Seal Back into Seat, and Blocks Flow when There Is a Loss of Vacuum**
 - **"Prime" Function Works by "Bypassing" the Piston/Seat Assembly**
 - **Black "Smiley" Thing Is Front Seal, Just behind Selector Disc (Lever), that Selects Which Inlet (reserve or main) Is Used**
 - **Obviously Whenever Dealing with a Piston and Seal, Fitting into a Seat, There Is the Possibility of Foreign Interference Preventing Full Closure**
 - **Smallest Bit of Debris at the Seat Will Allow Gasoline to Leak by the Vacuum Control Function of the Petcock and Supply Fuel to the Carburetors**

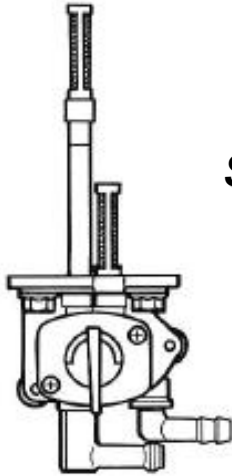


Smiley Face Front Seal



Back of Petcock Valve

Fuel Flow in Vacuum Petcock



Smiley Face Front Seal



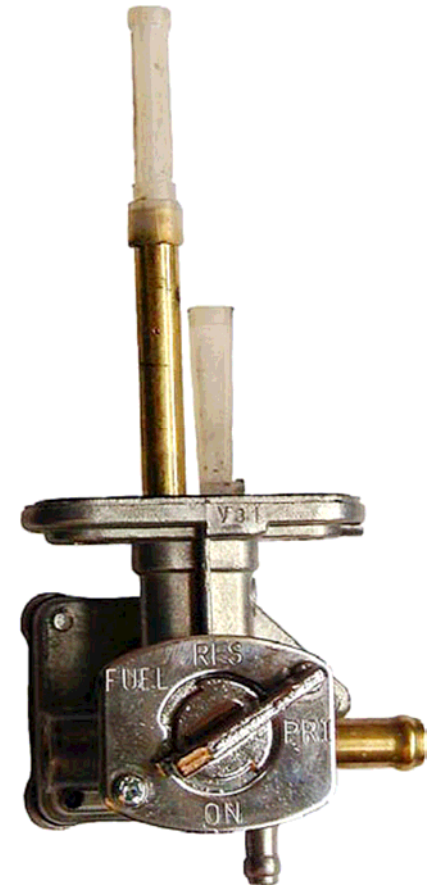
"ON" position



"PRI" position



"RES" position



Ditching the Vacuum-Operated Petcock on '06 & '07 Models

(John Grocke (a.k.a. JohnBG)) (www.russianiron.com)

- ***Replace Automatic (Vacuum) Petcock with Manual Petcock with "OFF" Position!***
 - ***Vacuum Petcock Present on Late '06 and Early '07 Models***
 - ***Petcock Valve Mounts Directly to Bottom of Tank with Two Bolts***
- ***When Using TwinMax Carb Balancer***
 - ***Must Disconnect the Vacuum Line and Turn Petcock to Prime***
 - ***Must Balance and Then Reconnect Vacuum Line and Turn Valve to "ON" and Then Idle Will Be Lower***
 - ***Wanted to Tweek with the Twinmax Carb Balancer without All of the Hassle***
- ***2000 Yamaha Road Star (Part No. 4WM-24500-02-00) has regular ON/OFF/RESERVE valve with that same mount for \$24***
- ***Switch Valve to Prime and Drain Gas from Ural Tank into 5-Gallon Can thru Left Carb Fuel Line***
- ***Replacing Vacuum Petcock with Yamaha Petcock***
 - ***Yamaha's Main Siphon Tube Longer and Needs to Be Trimmed***
 - ***Use Common Copper Tubing Cutter***
 - ***Mark Cut-Point on Yamaha Petcock***
 - ***Replace Flat Head Screws Securing Valve to Tank with 6mm x 12mm Allen-Head Stainless Bolts***
 - ***Gently Pull Screen Off End of Yamaha Siphon***
 - ***Extremely Fine Mesh***
 - ***IMWA Discontinued Fuel Filters for '07***
 - ***Trim Tube to Correct Length Using Tubing Cutter***
 - ***Mount the New Yamaha Valve***
 - ***Use New Allen-Head Bolts with a Drop of Blue Permatex on the Threads***
 - ***Pop the Valve in Place and Snug Tight***
 - ***Reconnect Fuel Lines (without the vacuum line)***
 - ***Add Rubber Cap that Goes on Top of Keihin Carb (where vacuum line was)***
 - ***Holopaw Gene Stocks the Little Rubber Caps***
 - ***Must Plug that Port, unless You Want to Join the Holey Pistons Club***
 - ***Pore 2 gallons of Gas in Tank***
 - ***Check for Leaks at Petcock Valve Mating Surfaces***
 - ***Alternately Pull Carb Fuel Lines and Divert to Catch Pan***
 - ***Turn New Valve to "ON" to Test Out***
 - ***Check Reserve Setting for Equal Flow***



model '06's and all '07 have fuel valve bolted directly to the tank.



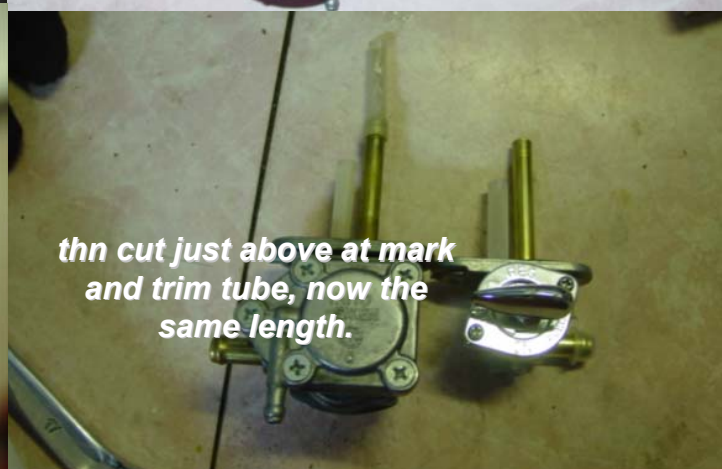
Ural stock (left) vs.. Yamaha fuel valves - need to trim siphon



Used a cig & pen to transfer length of existing siphon to new valve



use tubing cutter to make notch just below cut line for filter



thn cut just above at mark and trim tube, now the same length.



Put filter screen back on siphon and install the new valve.



Be sure to cap vacuum line port on top of left side carburetor!



Viola! It's done!



Installed

Replacing Automatic (Vacuum) Petcock with Yamaha Manual Valve (<http://sovietsteeds.com/forums/viewtopic.php?f=5&t=326&hilit=Yamaha+Valve>)

- If You Have Late '06 or Newer Gas Tank, with Two Bolts that Hold the Petcock to the Tank, then Petcock Simply Bolts On
–May Want to Shorten the Siphon Tube
or**
- If You Have the Vacuum-Operated Petcock with the Adapter that Goes on a Threaded Bung on Early '06 and Older Bikes, then Just Use the New Petcock (2000 Yamaha Road Star (Part No. 4WM-24500-02-00) on the Adapter that Came with the Vacuum Petcock and Don't Shorten the Siphon Tube
or**
- If You Have a threaded bung on his tank without an adapter (KP-15A or KP-33 Replacement), You'll Need the Adapter that Comes with the Vacuum Petcock**

Flat Plate to Later Vacuum Petcock

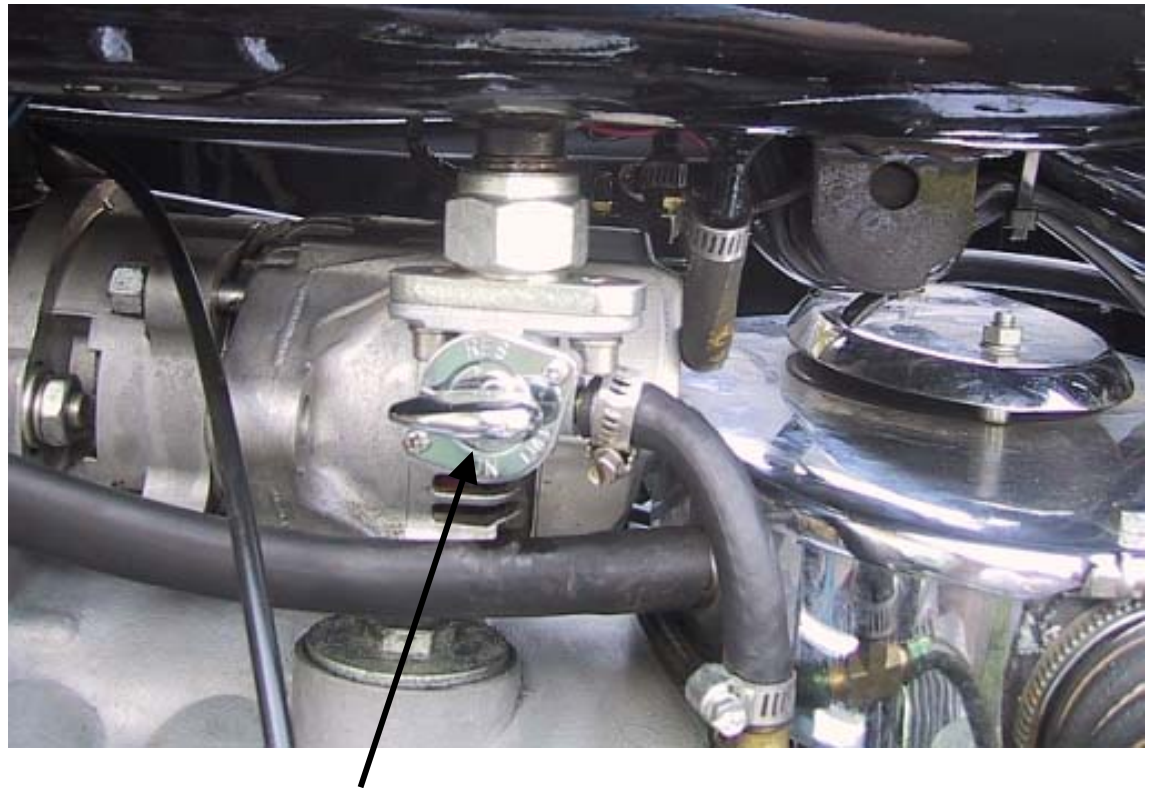


**Adapter Nut to Gas Tank
with External Threads**



Replacing Automatic (Vacuum) Petcock with Yamaha Manual Valve (<http://sovietsteeds.com/forums/viewtopic.php?f=5&t=326&hilit=Yamaha+Valve>)

- **Better Fuel Flow and Assurance of an "OFF" Position on the Valve**
- **Threaded Bung on Gas Tank with Adapter Fitting**
- **Do Not Need to Trim the Siphon Tube of Yamaha Petcock**
–2000 Yamaha Road Star (Part No: 4WM-24500-02-00)
- **Still Need to Cap Vacuum Port on Carburetor**

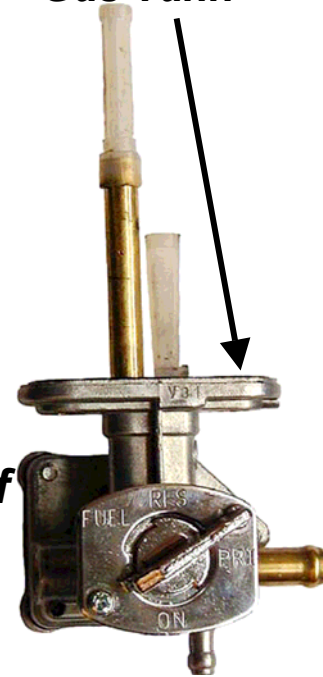


**Remove Automatic (Vacuum) Petcock
with Yamaha Manual Petcock with
Definite "Off" Position**

2003 - 2007 Gear-Up, Patrol, Tourist Owners Manual

- **750 cc Engine**
- **Automatic (Vacuum) Petcock**
 - 1. **When starting the engine after the motorcycle has been parked for an extended period of time, or after the fuel tank and/or carburetors have been completely emptied of gasoline (e.g. due to running out of fuel, evaporation, or installation of replacement parts), set the valve to the “PRI” position. This will allow gasoline to fill the float chambers of the carburetors and prepare the engine for starting.**
 - 2. **Start the engine**
 - 3. **After the engine starts, set the valve to the “ON” position and keep the valve in this position for regular use of the motorcycle. (When set to “ON”, the valve is automatically activated when the engine starts and stops, opening and shutting off the supply of fuel to the carburetors)**
 - 4. **After using up the main volume of fuel (engines starts stalling due to lack of fuel), set the valve to the “RES” position and continue driving. After refueling, remember to set the valve back to “ON” to avoid running out of fuel completely.**
- **IMPORTANT: When parking the motorcycle for extended periods of time, the valve should remain in the “ON” position.**
- **WARNING: Never leave motorcycle with the engine turned off and valve set to “PRI” as this may result in a serious damage to the engine and will void warranty.**

Flat Plate
for
Direct-Mount
below
Gas Tank



IMZ-8.1037-10064

Vacuum Petcock Switch Positions

- Orientation of Valve Positions Is a Little Confusing
- Actual Position Is Indicated by the **Large** End of the Lever
 - Lever Can Only Swing Over Right Side of Face
- If Large End Is Erroneously Put in “ON” position (large end over RES)
 - Petcock Is Actually in RESERVE Position
 - When Fuel Is Out, It Is Totally Out
- If Large End Is Erroneously Put in “RES” Position (large end over On)
 - Petcock Is Actually in ON Position
 - When Fuel Is Out, Reserve Is Still Available



Положение
перед запуском
Prime

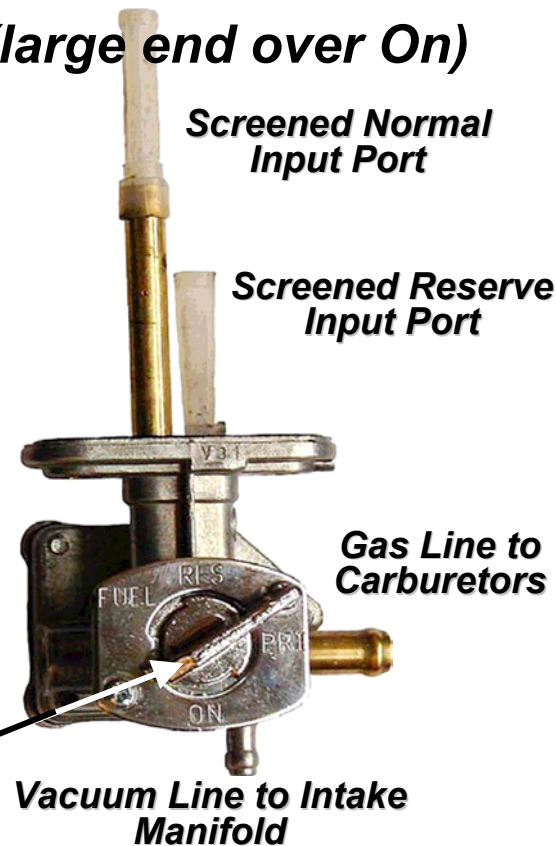


Положение
“открыто”
On



Резерв
Reserve

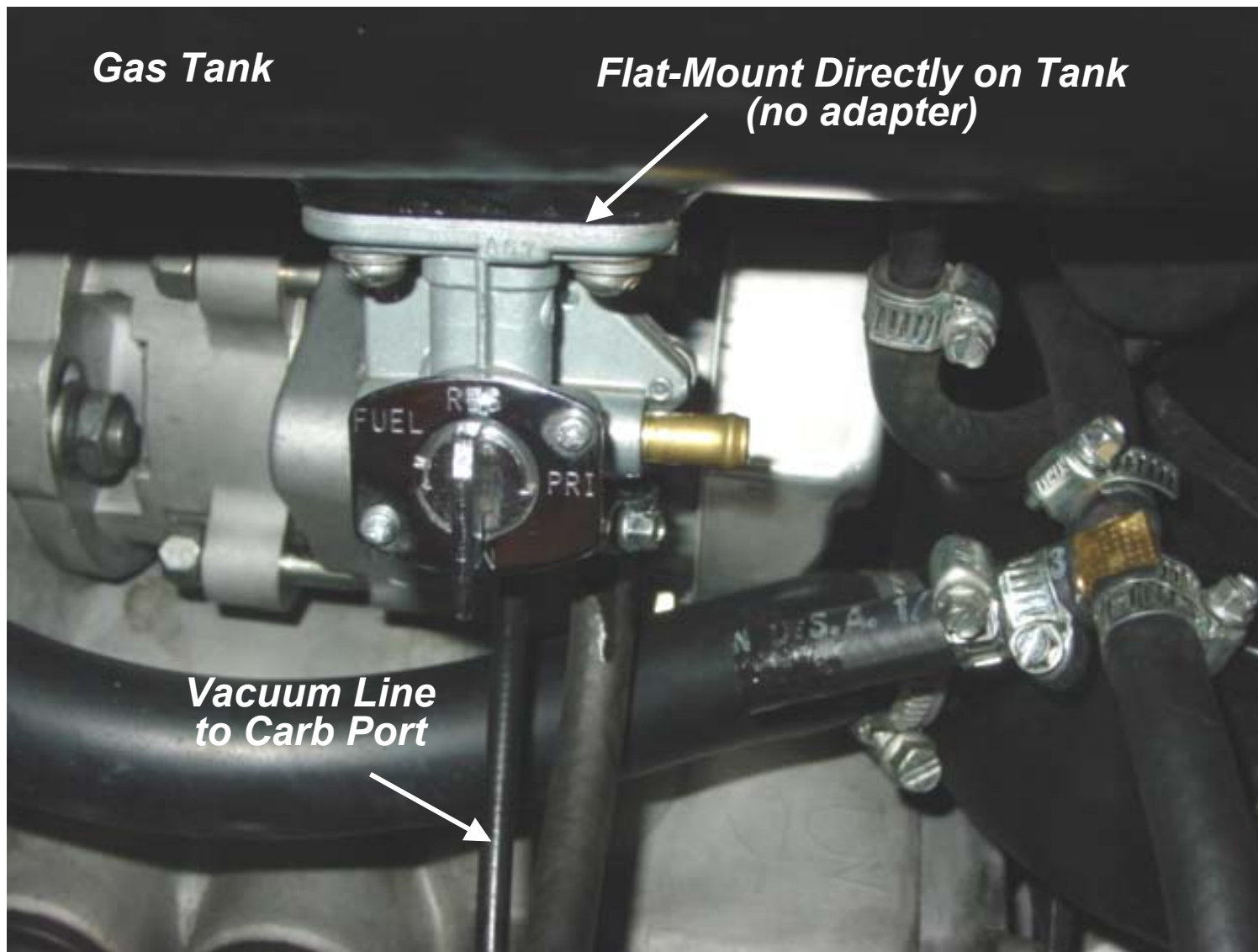
Lever Mid-Way
between
RES and PRI



**Orientation of the positions is somewhat confusing,
compared to previous valves.**

Late Model '06s and all '07s Have Fuel Valve Bolted Directly to the Gas Tank

(sovietsteeds.com)



Ural 750 cc Vacuum Petcock Post-2006

- Vacuum Petcock
- Mounts Directly on Bottom of Gas Tank (No Adapter)



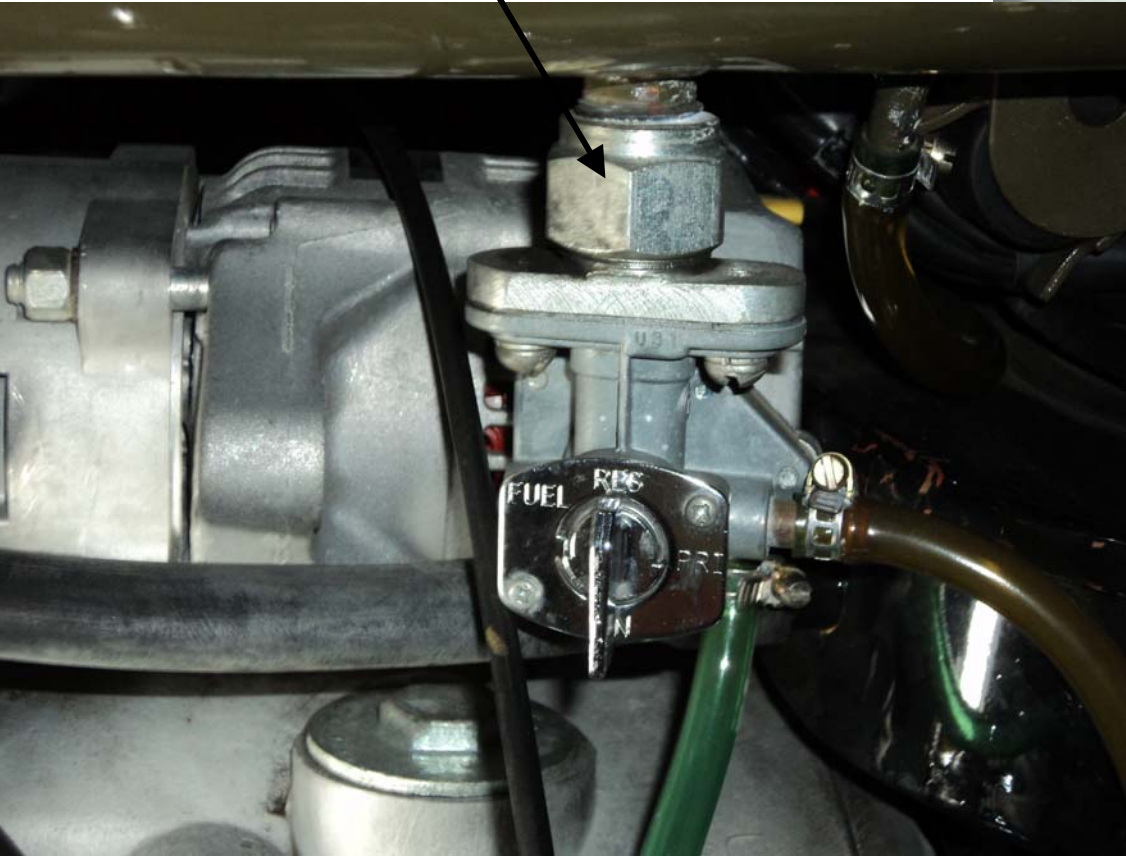
Benzokran Vacuum (Taiyo Giken)

Late 2006 or early 2007, the vacuum (automatic) petcock was mounted directly to the gas tank.

Vacuum (Automatic) Petcock on 2003 Patrol

***Notice Adapter to Gas Tank
with External Threads***

***Adapter Nut
(Bifurcate)***



***Notice Vacuum Line
from Intake Manifold***

Prior to the close of 2006 or beginning of 2007, the vacuum (automatic) petcock was adapted to the external threads of the gas tank.

Ural '06 Gear-Up

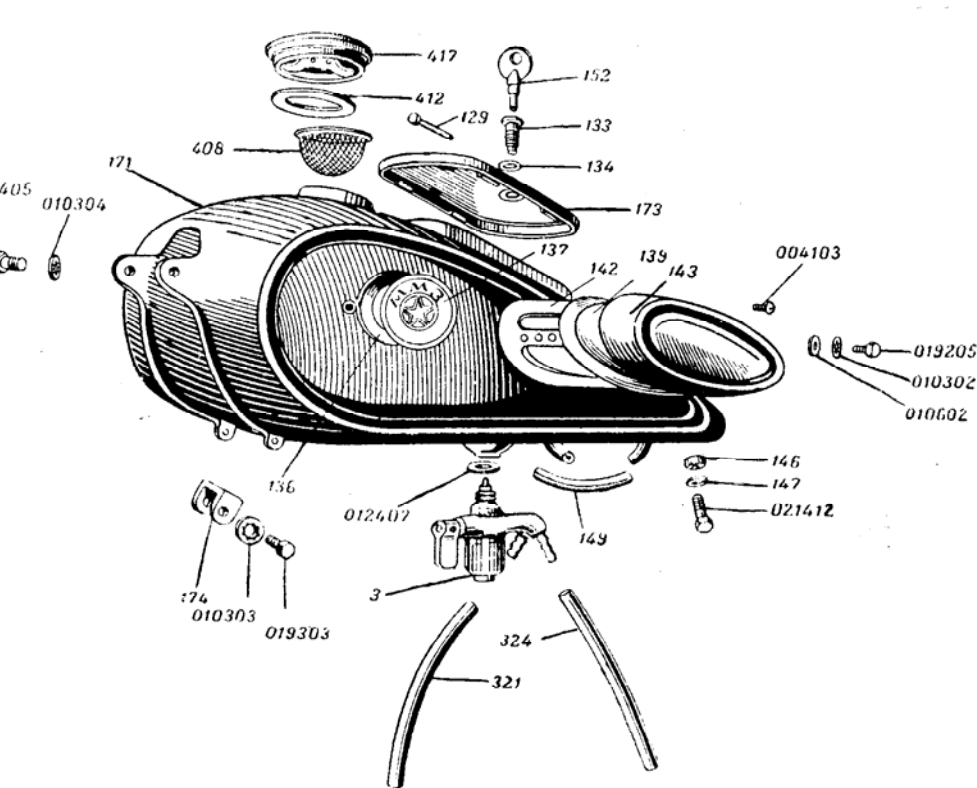


Late model '06 and early '07 Urals used a direct-mount vacuum petcock.

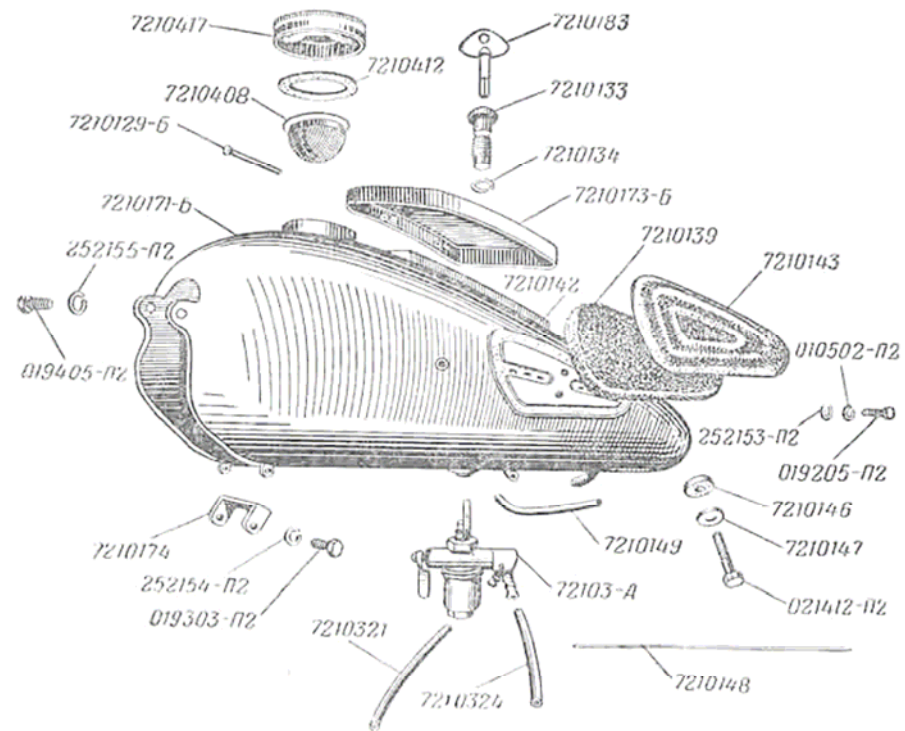
Part Identification

Engine Size	Part Number	Description
650 cc	'6310001-10	<i>Gas Tank Assembly with Toolcase, Petcock KP-15A</i>
650 cc	'6310001-11	<i>Gas Tank Assembly w/o Toolcase, Petcock KP-15A</i>
750/650 cc	'IMZ-8.1037-10001-20	<i>Gas Tank Assembly w/o Toolcase, with Vacuum Petcock</i>
750/650 cc	'IMZ-8.1037-10001-21	<i>Gas Tank Assembly, with Toolcase, with Vacuum Petcock</i>
750/650 cc	'IMZ-8.1037-10001-30	<i>Gas Tank Assembly w/o Toolcase, with Vacuum Petcock</i>
750/650 cc	'IMZ-8.1037-10001-31	<i>Gas Tank Assembly, with Toolcase, with Vacuum Petcock</i>
650 cc	'6210047	<i>Tank Cap (screwed plug) Plastic, not lockable</i>
650 cc	'6310004-02	<i>Gas Tank w/o Toolcase, w/o Petcock</i>
	'IMZ-8.1037-10004-2	<i>Gas Tank w/o Toolcase</i>
750/650 cc	'IMZ-8.1037-10004-10	<i>Gas Tank w/o Toolcase, w/o Petcock (use on all 2007 models only)</i>
750/650 cc	'IMZ-8.1037-10004-11	<i>Gas Tank with Toolcase, w/o Petcock (use on all 2007 models only)</i>
650 cc	'6310030	<i>Petcock KP-15A</i>
750/650 cc	'01Z3254190B	<i>Petcock KP-15A Replacement</i>
750/650 cc	'IMZ-8.103-10030	<i>Petcock KP-33, Older Style Benzokran</i>
750/650 cc	TGO-27-100-UR	<i>Vacuum Petcock</i>
750 cc	'IMZ-8.1037-10003	<i>Vacuum Petcock</i>
750/650 cc	'IMZ-8.1037-10022	<i>Vacuum Petcock</i>
750/650 cc	'IMZ-8.1037-10030	<i>Vacuum Petcock - 2007</i>
750/650 cc	'IMZ-8.1037-10064	<i>Vacuum Petcock</i>
750/650 cc	'IMZ-8.1037-10115	<i>Adapter Plate for Vacuum Petcock up to Late 2006</i>
750/650 cc	'IMZ-8.1037-10127	<i>Adapter Nut for Vacuum Petcock up to late 2006</i>
750/650 cc	'VIC15	<i>Petcock KP-33 Replacement</i>
750/650 cc	011407	<i>Washer, Special 14 Φ</i>

M-72 Petcocks and Gas Tanks



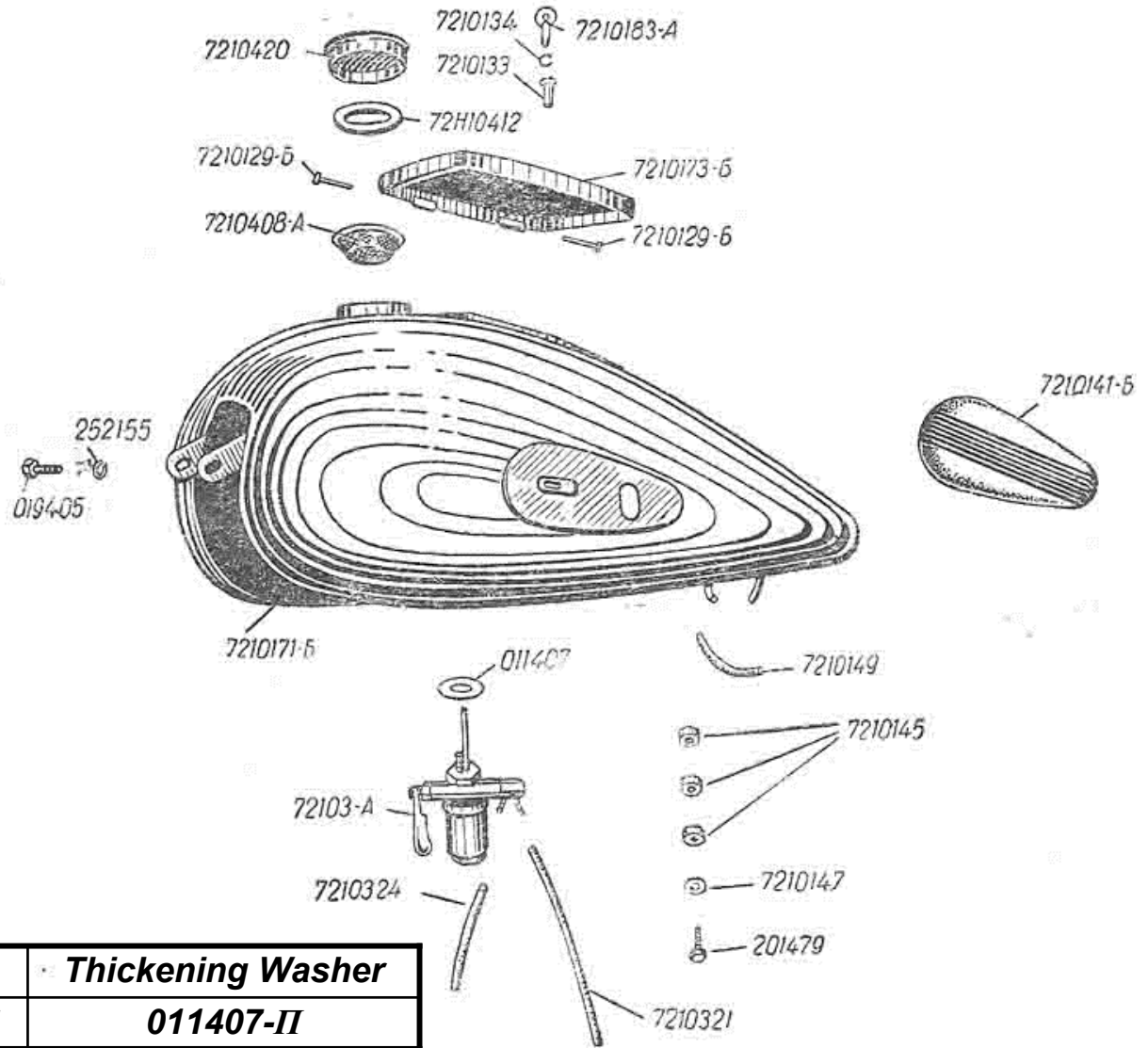
Ural M-72 (1946)



Dnepr M-72 (1955)

The M-72 uses the single-sided lever, manual KP-15A petcock, which screws into the internal threads of the gas tank.

K-750, K-750M Petcocks and Gas Tanks

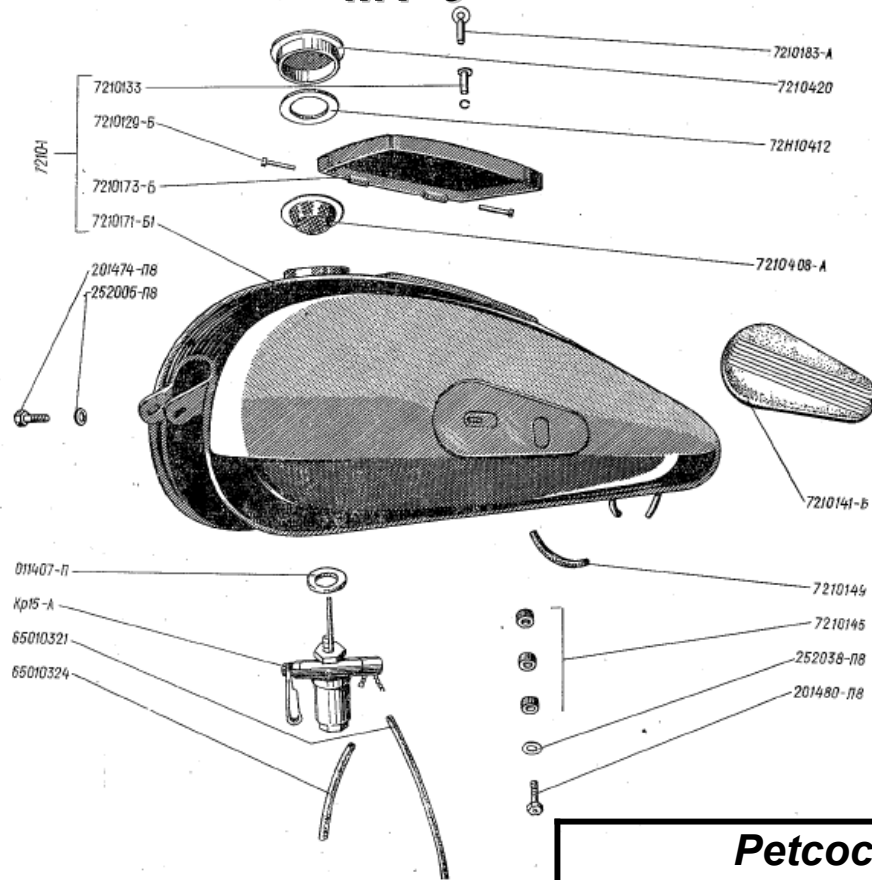


Petcock	Gas Tank	Thickening Washer
KP-15A / 72103-A	7210171-B	011407-II

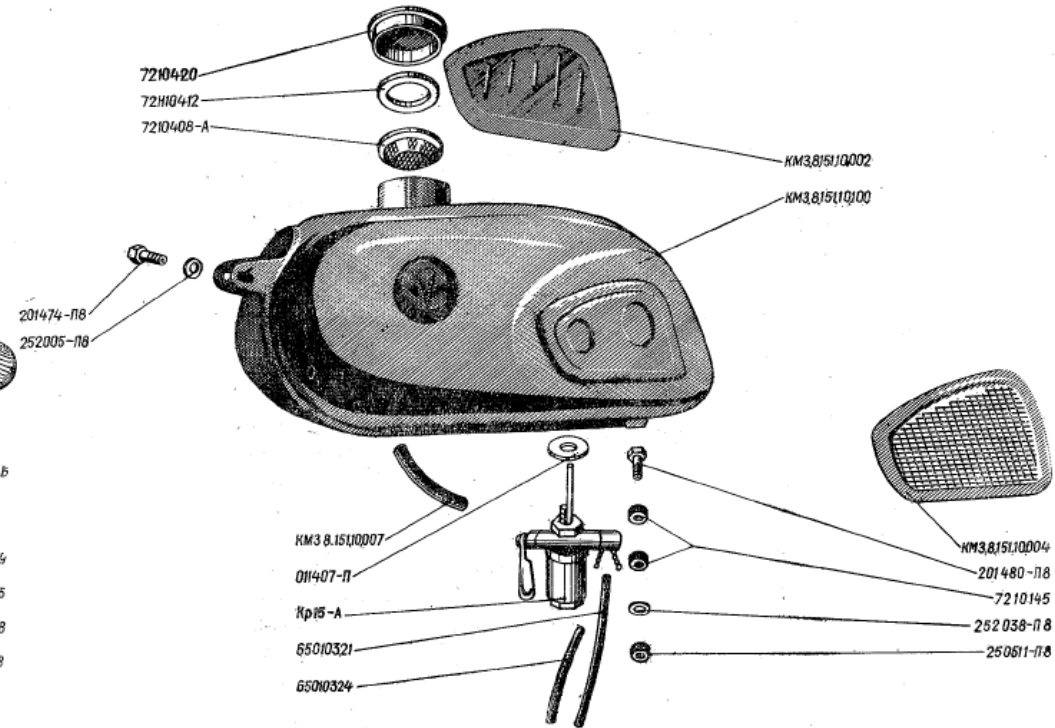
The K-750 / K-750M uses the single-sided lever, manual KP-15A petcock, which screws into the internal threads of the gas tank.

MT-9 /MT-10 Petcocks and Gas Tanks

MT-9

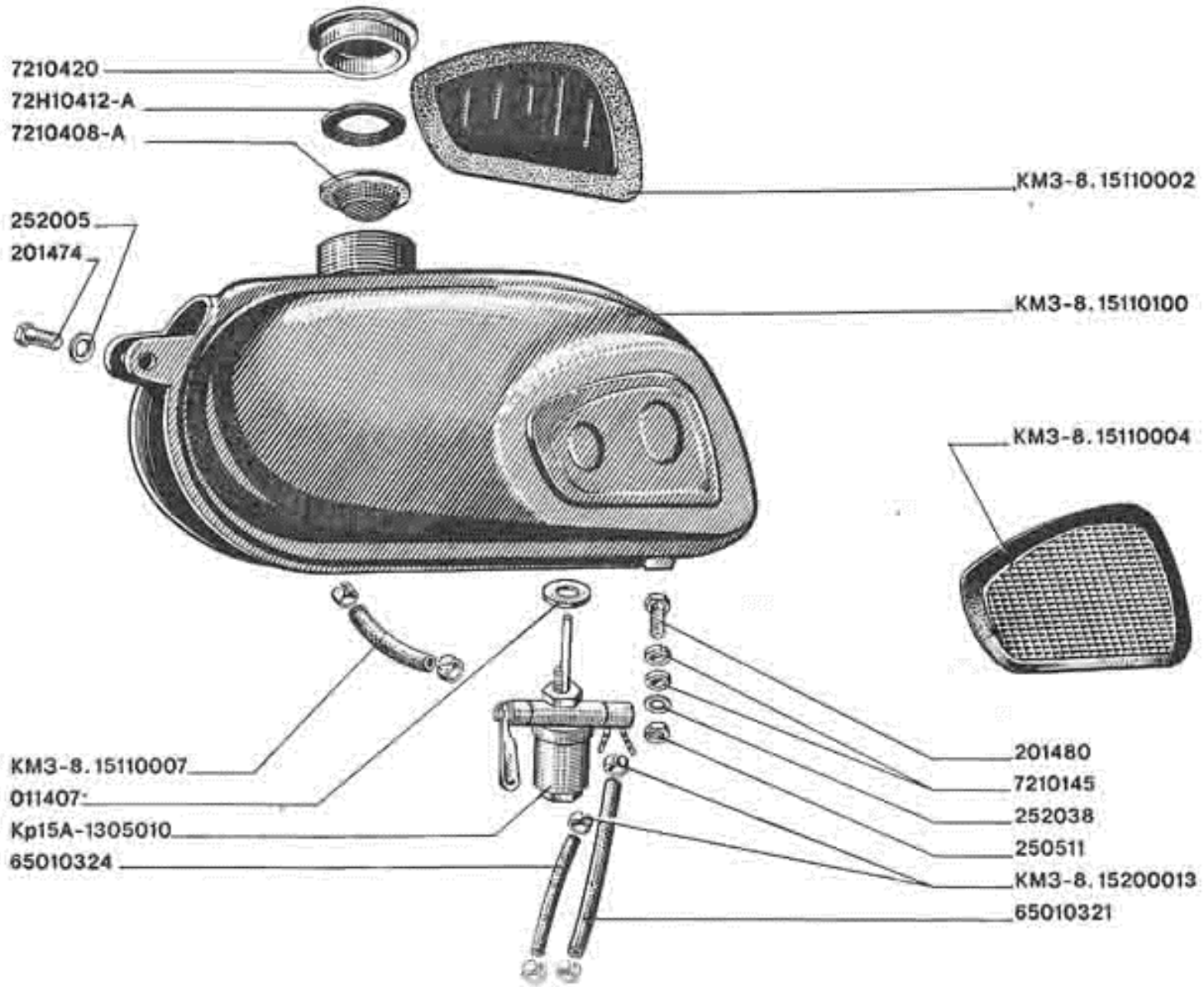


MT-10



<i>Petcock</i>	<i>Gas Tank</i>	<i>Thickening Washer</i>
KP-15A / 72103-A	7210171-B	011407 -II

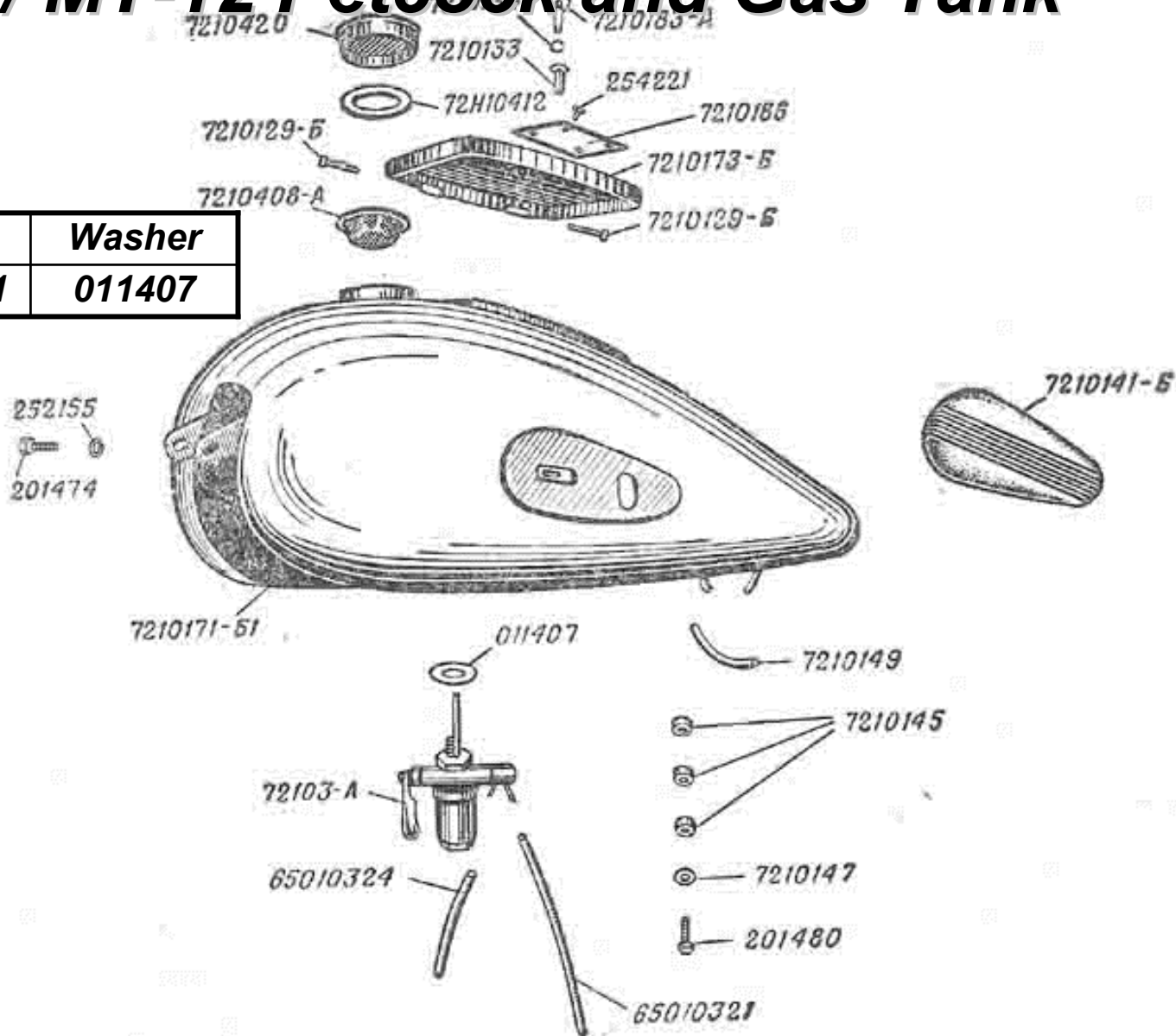
MB-650 / MT-16 / MT-11 Petcock and Gas Tank



<i>Petcock</i>	<i>Gas Tank</i>	<i>Thickening Washer</i>
<i>KP-15A / 1305010</i>	<i>KM3-8.15110100</i>	<i>011407</i>

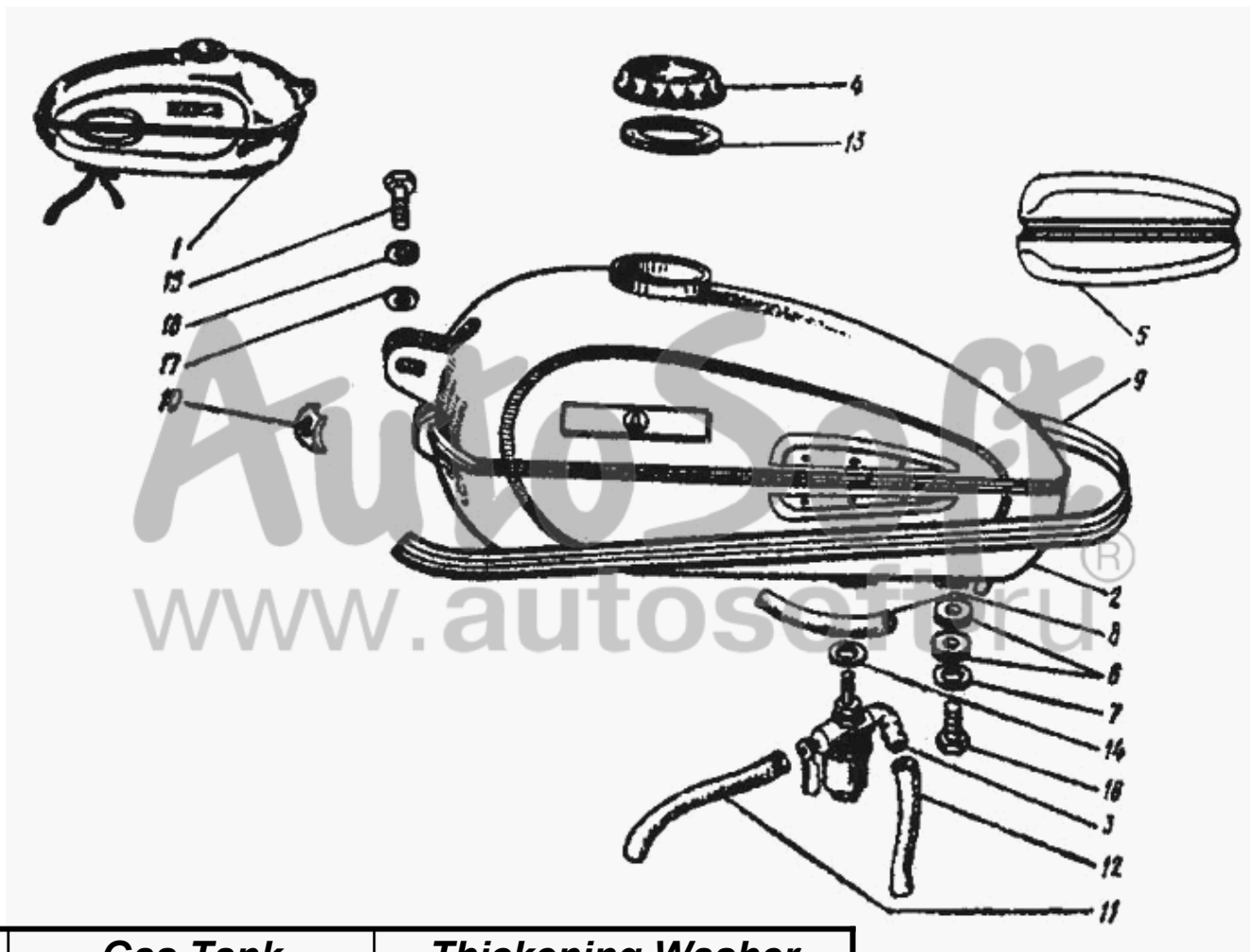
MB-750 / MT-12 Petcock and Gas Tank

Petcock	Gas Tank	Washer
72103-A	7210171-B1	011407



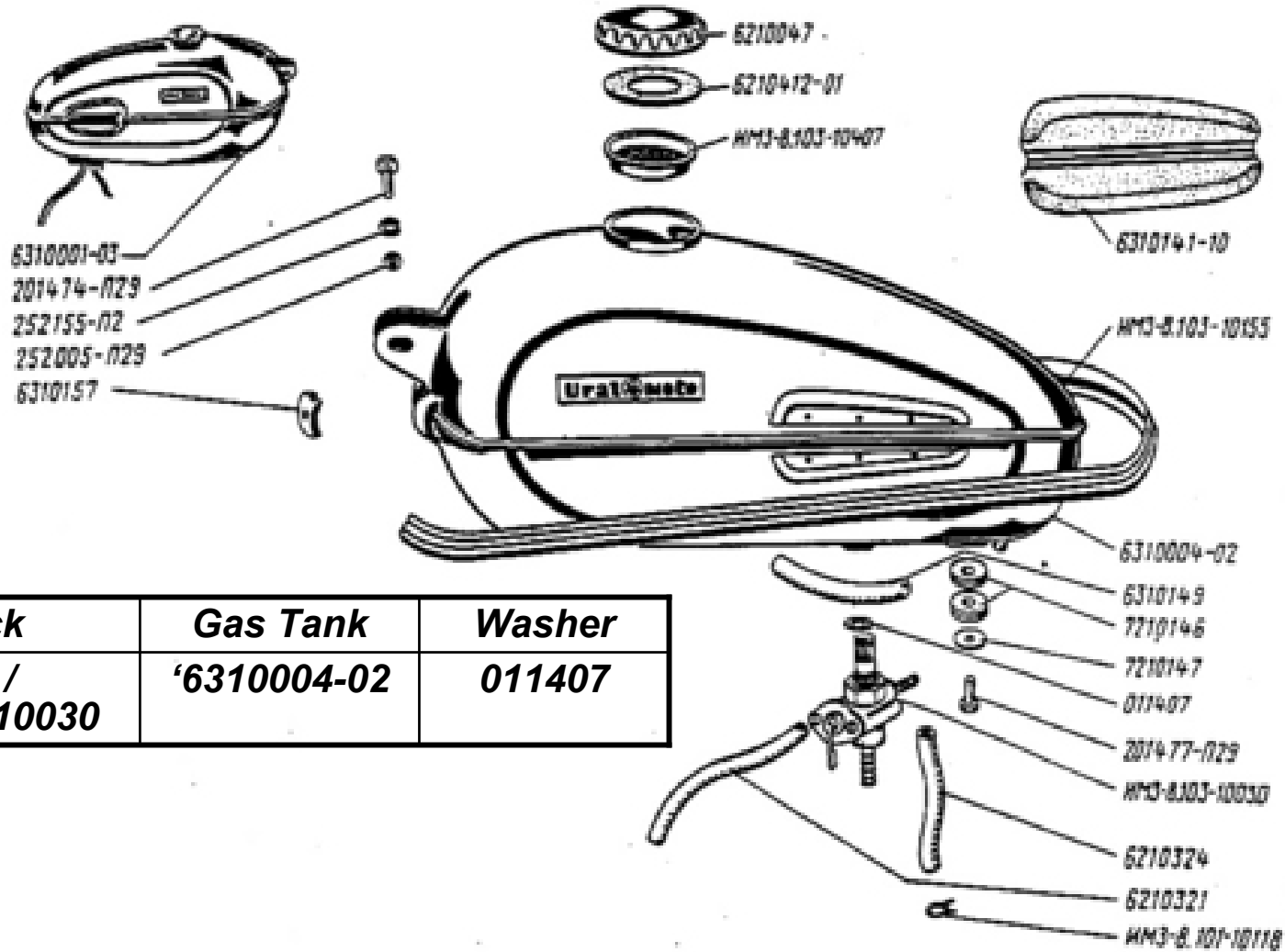
The MB-750 / MT-12 uses the manual KP-15A petcock.

Ural M-67.36 Petcock and Gas Tank (parts.tehsoftnn.ru)



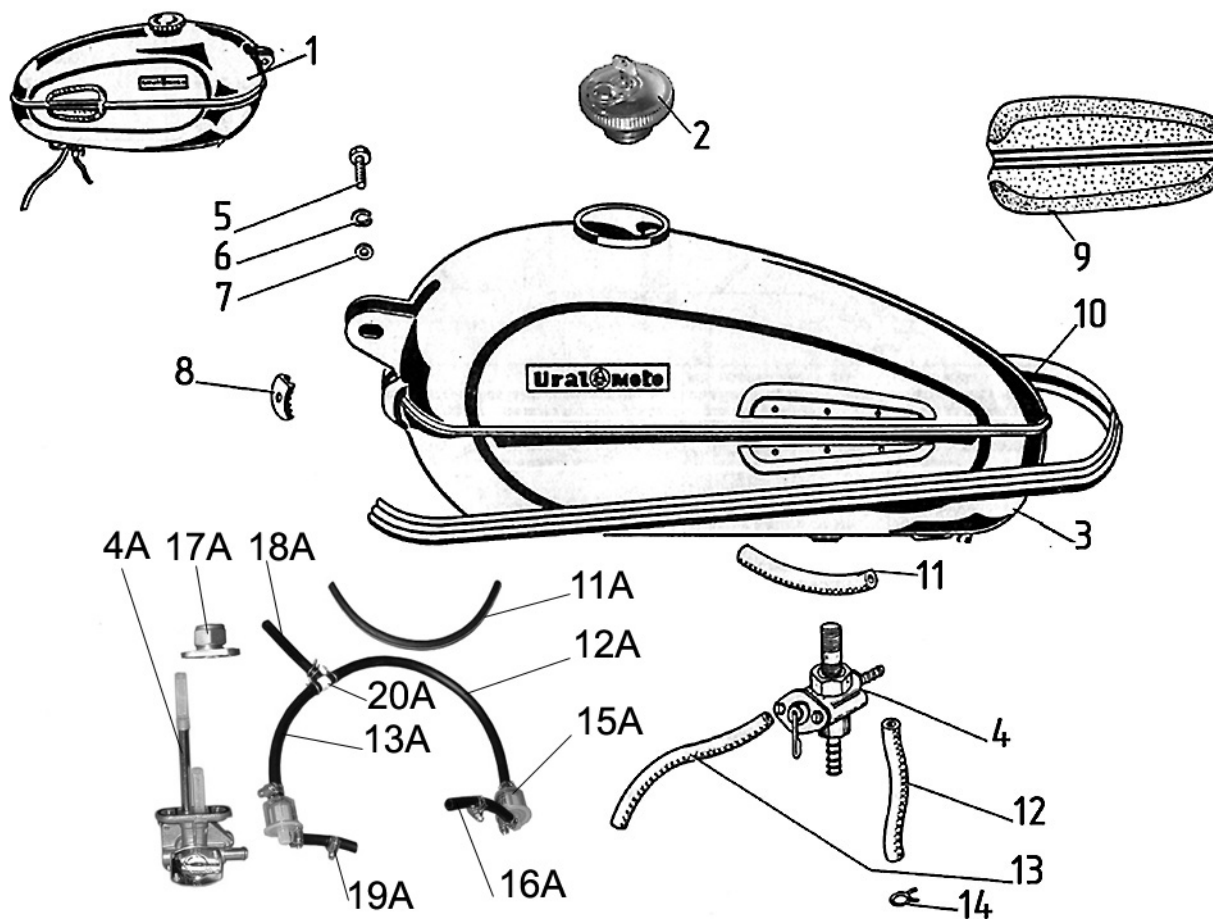
Petcock	Gas Tank	Thickening Washer
KP-15A / 6310030	6310004-02	011407 / Washer 14

Ural 650 cc Petcock and Gas Tank



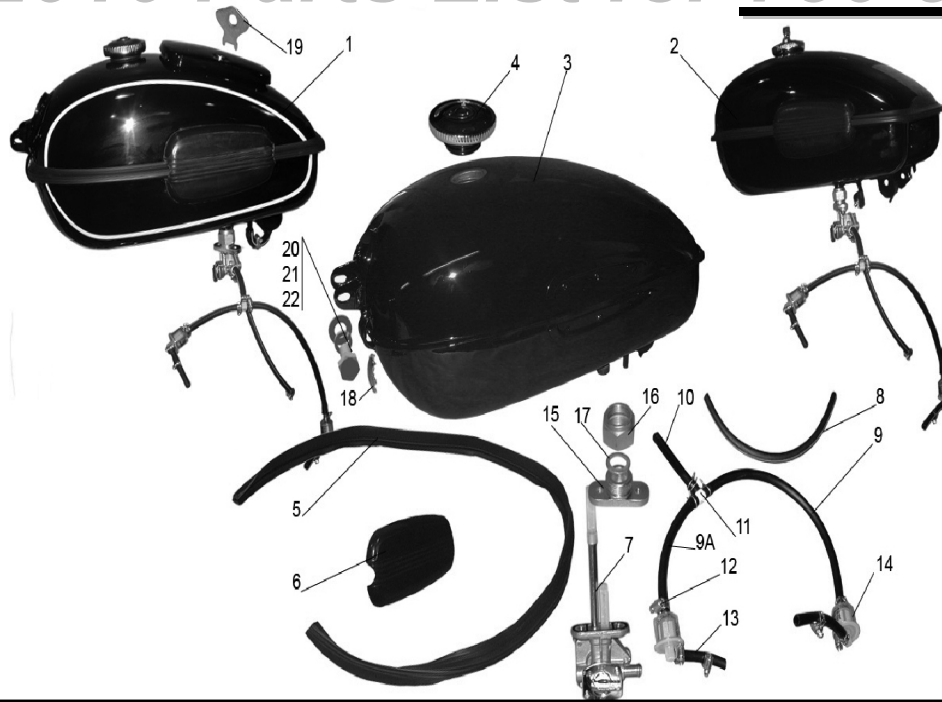
Petcock	Gas Tank	Washer
KP-33 / IMZ-8.103-10030	'6310004-02	011407

Ural IMZ-8.103-1037 (650/750 cc, for 2005 and Older)



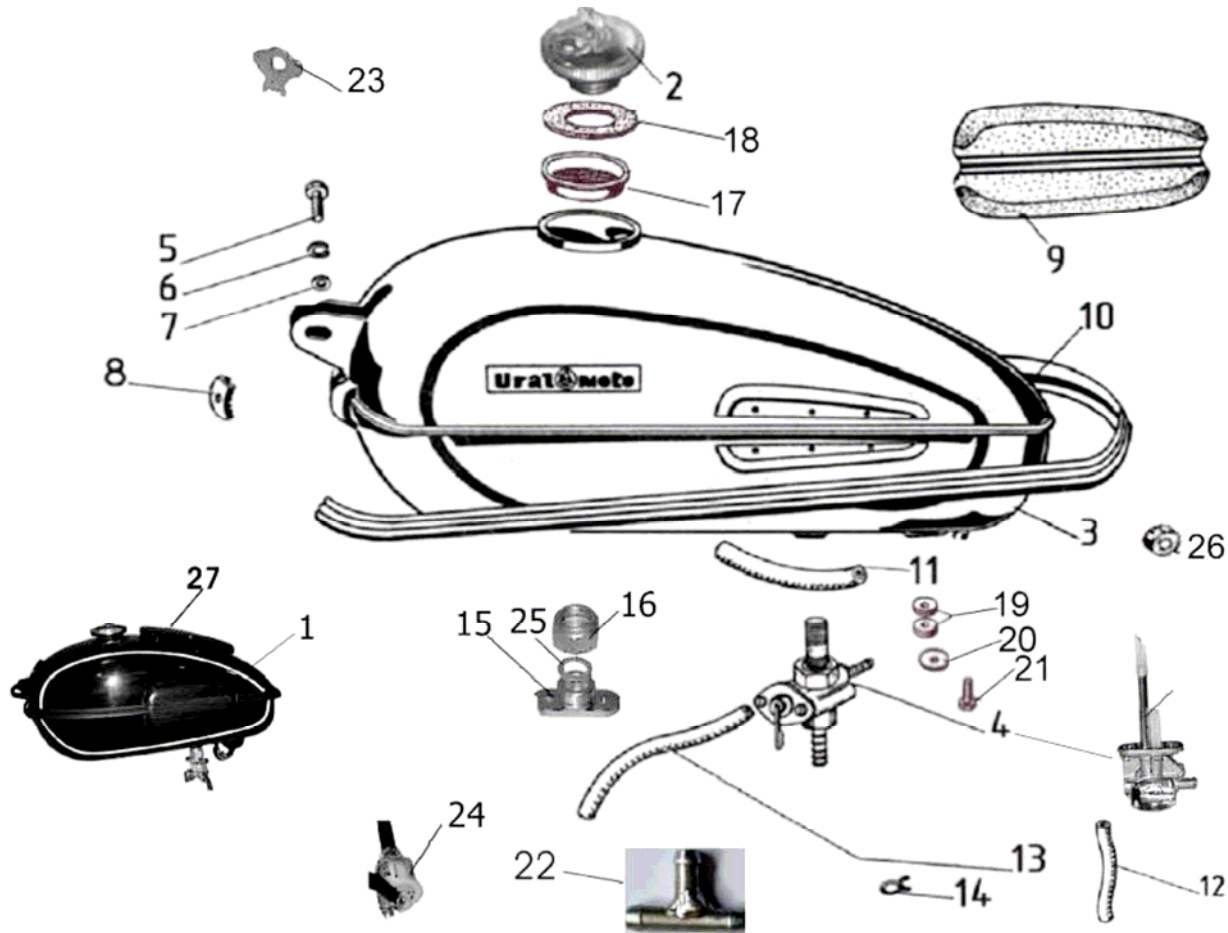
1	IMZ-8.1037-10001-10	Gasoline Tank Assy
3	IMZ-8.1037-10004-10	Gasoline Tank
4	IMZ-8.103-10030	KP-33 Manual Petcock
4A	TGO-27-100-UR	Vacuum Petcock
17A	IMZ-8.1037-10115	Adapter (Bifurcate)

2007-2010 Parts List for 750 cc 8.1037



Part ID	Part Number	Description	Notes
7	KTO 37-100	Vacuum valve	
7	IMZ-8.1037-10022	Vacuum valve	-
7	IMZ-8.1037-10030	Vacuum Valve - 2007	For use on all 2007 models only
15	IMZ-8.1037-10115	Adapter	
16	IMZ-8.1037-10127	Adapter Nut	
17	IMZ-8.1037-10136	Washer	
1	IMZ-8.1037-10001-31	Fuel Tank w/o Toolcase Assy	
3	IMZ-8.1037-10004-2	Fuel Tank w/o Toolcase	
3	IMZ-8.1037-10004-20	Fuel Tank Assy	
3	IMZ-8.1037-10004-21	Fuel Tank with Toolcase Assy	
3	IMZ-8.1037-10004-10	Fuel Tank w/o Toolcase	For use on all 2007 models only
3	IMZ-8.1037-10004-11	Fuel Tank with Toolcase	For use on all 2007 models only

Price List 2008 - 2011 *(northsiders.be)*



Engine Size	Part ID	Part Number	Description	Notes
650 cc	4	'6310030	<i>KP-15A Manual Petcock</i>	
750/650 cc	4	'IMZ-8.103-10030	<i>KP-33 Manual Petcock</i>	
750/650 cc	4	'IMZ-8.1037-10064	<i>Vacuum Petcock</i>	
750/650 cc	15	'IMZ-8.1037-10115	<i>Adapter for Vacuum Petcock</i>	<i>up to 2006</i>
750/650 cc	16	'IMZ-8.1037-10127	<i>Adapter nut for Vacuum Petcock</i>	<i>up to 2006</i>
750/650 cc	25	'IMZ-8.1037-10136	<i>Washer</i>	

Comparative Approximations of Petcock Prices

	Manual: 72103-A /Kp15-A	Manual: 72103-A /Kp15-A w/o Filter	Manual: KP-15A Replacement: '01Z3254190B	Manual: KP-33 (<u>'IMZ-8.103-</u> <u>10030</u>)	Manual: KP-33 Replacement	Vacuum: <u>IMZ-8.1037-</u> <u>10064</u>	Vacuum 2007: <u>IMZ-8.1037-</u> <u>10030</u>	Vacuum: <u>IMZ-8.1037-</u> <u>10022</u>
www.henriksson.ee	€ 15							
www.russiagarage.com	\$14	\$13						
www.oldtimergarage.eu		€15						
www.jebike.com	€ 30			Not Available		€ 75		
uralne.com				\$38.99		\$90	\$112	\$112
www.rosopt.com		\$105						
www.oldtimergarage.eu		€15.12						
cgi.ebay.com/ebaymotors		US \$6						
Uralnwco.ipower.com						\$106		
www.ural.ca						\$157		
Moto-boxer.com	€ 10	€9.9						
www.uralnw.com							\$87	\$87
www.ural-motorcycles.com					'VIC15			
www.crawfordsales.info					\$80			
northsiders.be	€ 37			€ 40		€ 90.45		
eBay		\$9				\$45		