

Military Accessories ***for*** ***Russian Motorcycles*** ***Part V (D): Pannier and*** ***Tool Box Brackets***

A collage of military-related images. In the background, a soldier in a grey uniform is working on a motorcycle. In the foreground, a man in a white tank top and dark shorts is sitting on a motorcycle, looking at something in his hands. To the right, another man in a white tank top and dark pants is leaning over a tire, using a tool. The background is a plain, light-colored wall.

Ernie Franke
eafranke@tampabay.rr.com
03/2010

Toolbox or Pannier Clamp (Old Timer Garage)



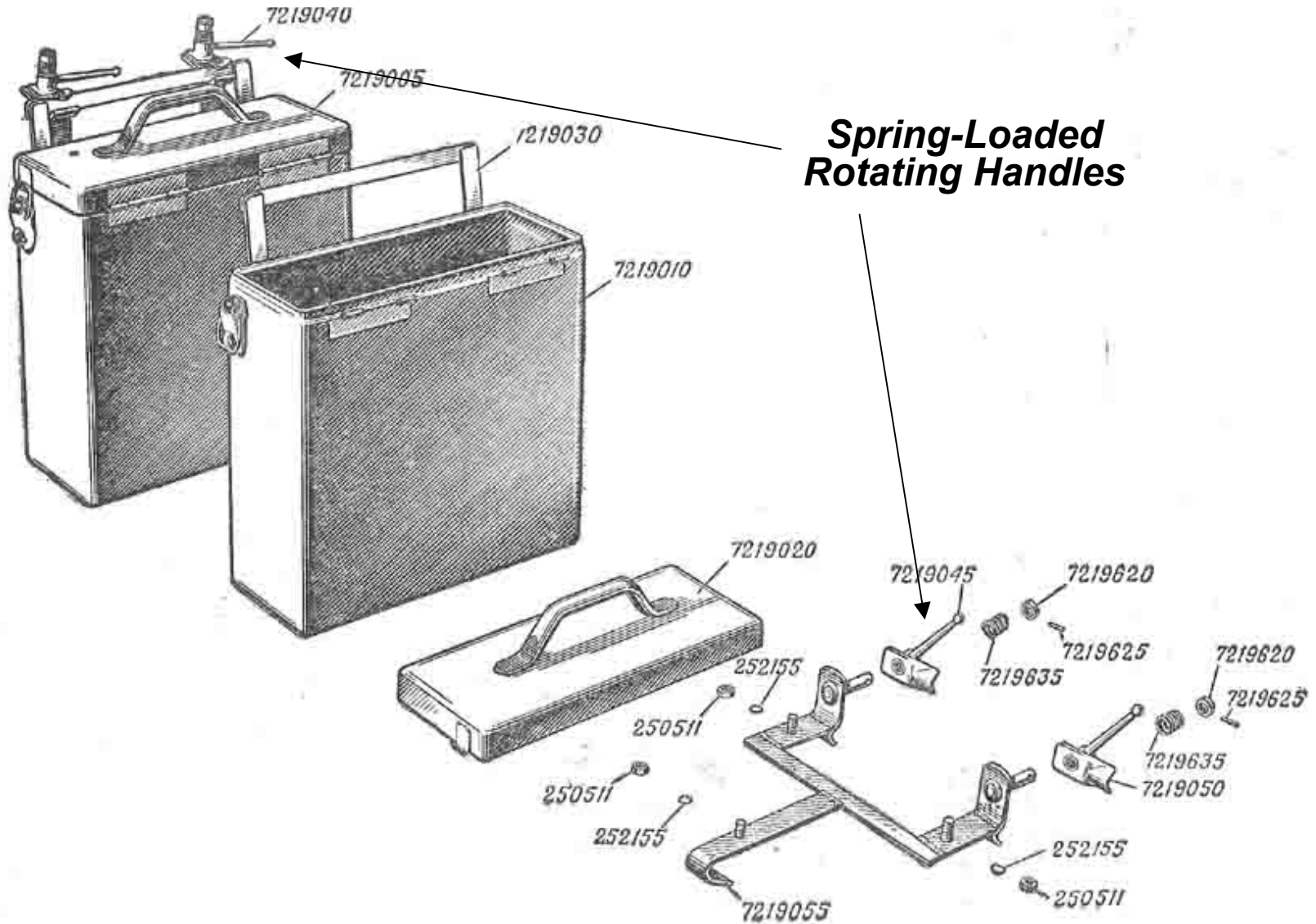
The late-war model toolbox clamp looks quite spiffy.

1969 KMZ (Dnepr) MB-750



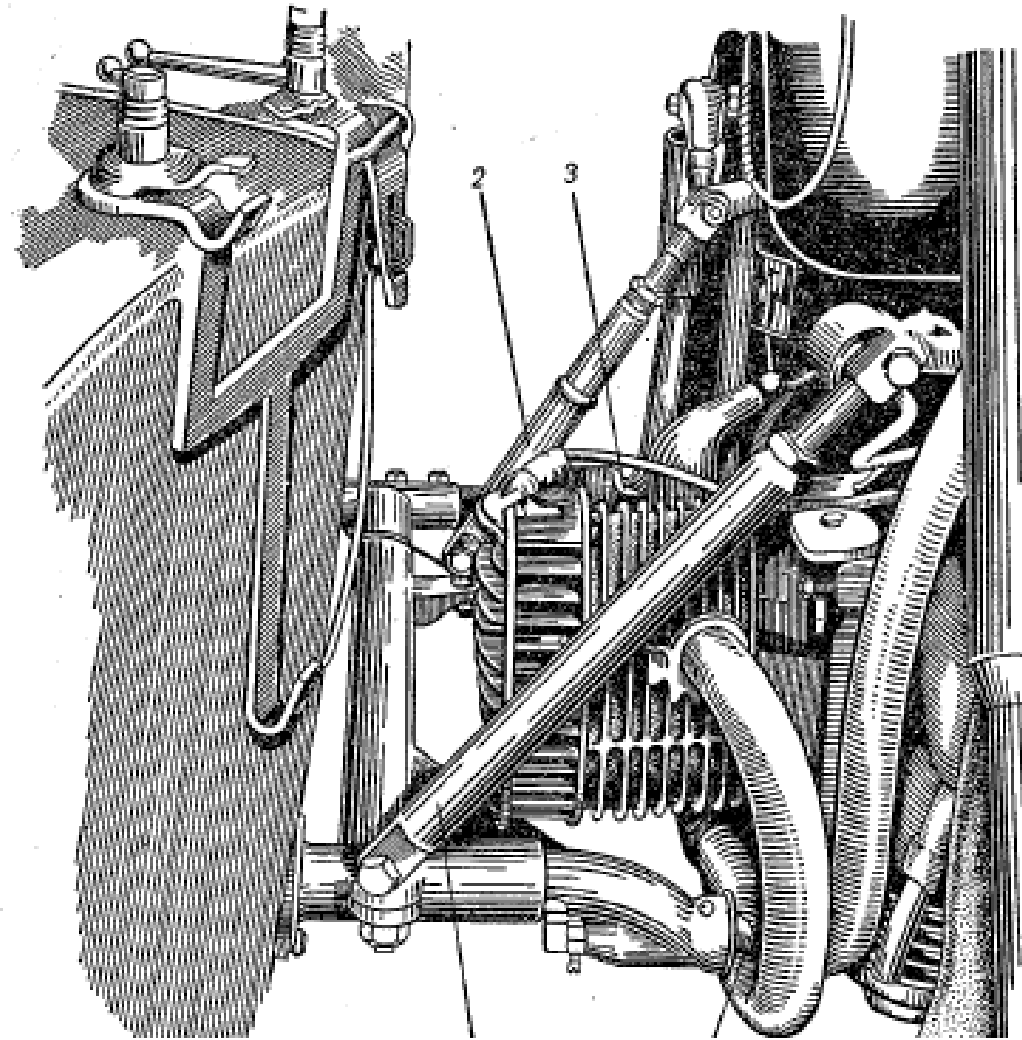
The mounting frame is bolted to the sidecar body and the pannier is then attached to the frame using the traditional spring loaded rotating handles.

MW-750 and MT-12 Boxes



This shows the traditional spring loaded rotating handles.

MW-750, MB-750 Mounting Bracket



Panniers across the Rear Wheels (Blitzbikes)

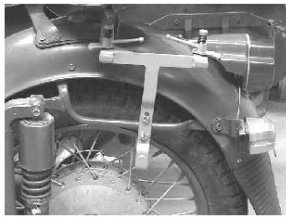


Tool boxes and panniers may also be mounted across the rear wheel of the motorcycle.

Toolbox Holders (ural.hu)



**Toolbox holder, left,
002.245**



**Toolbox holder, right,
002.244**



Toolbox Holder, 001.955



Brackets for toolboxes or panniers can be mounted on the tub or rear wheel of the motorcycle.

Early-War Style Pannier and Tool Box Brackets



S1332
Ammunition Box Bracket



01-0032
Earlier Toolbox Mount
changjiang750sidecar.com



7219040
Sidecar Toolbox Holder
oldtimergarage.eu



Early/Old Style Bag Bracket
blitzbikes.com



001.976
Toolbox Holder
oldtimergarage.eu/store/produ



Rear Bag Carrier
blitzbikes.com

Brackets with “square” corners are older.

Later Style Pannier and Tool Box Brackets



Later brackets are even more “curvy”.

Rough Pricing of Pannier and Tool Box Brackets

| Item | Supplier | Part # | Fits | Sidecar or Bike Mount | Approx Price (2010 USD) |
|--|---------------------------------|---------------------|--|------------------------------|--------------------------------|
| Toolbox holder, left | <i>oldtimergarage.eu</i> | <i>002.24 5</i> | <i>Dnepr MB-750M</i> | <i>Bike</i> | <i>\$88</i> |
| Toolbox holder, right | <i>oldtimergarage.eu</i> | <i>002.24 4</i> | <i>Dnepr MB-750M</i> | <i>Bike</i> | <i>\$88</i> |
| Toolbox Holder, left & right | <i>oldtimergarage.eu</i> | <i>001.95 5</i> | <i>M-72, CJ-750, URAL M-62, M-63, BMW, R-71</i> | <i>Bike</i> | <i>\$142</i> |
| Toolbox Holder, L & R | <i>oldtimergarage.eu</i> | <i>001.97 6</i> | <i>R12, R35</i> | | <i>\$142</i> |
| Toolbox Holder, L & R | <i>blitzbikes.com</i> | | | | <i>\$160</i> |
| Bracket for Ammunition box | <i>Ural-Zentrale (Germany)</i> | <i>S1332</i> | | | <i>\$24</i> |
| Earlier model ammo toolbox mount | <i>changjiang750sidecar.com</i> | <i>01-0032</i> | | | <i>\$40</i> |
| Sidecar toolbox holder, (7219040), good quality | <i>oldtimergarage.eu</i> | | <i>BMW R-12, MB-750/DNEPR/K-750</i> | <i>Sidecar</i> | <i>\$55</i> |
| Toolbox Holder, left side | <i>oldtimergarage.eu</i> | <i>001.97 0</i> | <i>R-75, KS-750</i> | <i>Sidecar</i> | <i>\$114</i> |
| Ammo toolbox with Earlier model mount | <i>ural-hamburg.de</i> | | <i>Dnepr, Ural, K-750, M-72.</i> | | <i>\$114</i> |
| Mount Brackets | <i>edelweissmilitaria.com</i> | <i>V-1005</i> | <i>\$100 each or set of 3 for \$250 two sidecar and one Motorcycle</i> | <i>Sidecar</i> | <i>\$100</i> |