

A detailed view of a carburetor, a mechanical device used in internal combustion engines to mix and deliver fuel to the combustion chamber. The carburetor is made of metal and has various ports and components. A pink plastic hose is connected to one of the ports and loops around the bottom of the carburetor. The background is a plain, light-colored surface.

***Ural (Урал) - Днепр (Днепр)
Russian Motorcycle
Carburetors
Part 20 - After-Market
Performance Carburetor***

**Ernie Franke
eaf Franke@tampabay.rr.com
08/2012**

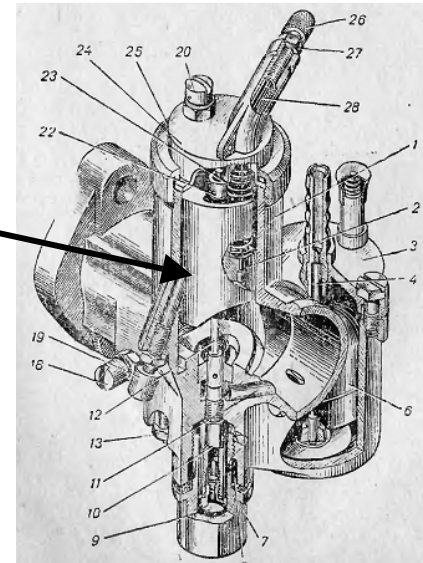
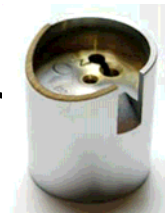
Raceway Services Performance Upgrades

- ***Raceway “High-Performance” Carburetors***
 - ***PN 10004: Ural 750 cc***
 - ***PN 10005: Ural/Dnepr 650 cc, Chang Jiang, Early BMW Boxer***
- ***Raceway Services (www.racewayservices.com)***
 - ***2700 19th St. SE Units 3,4 & 6***
Salem, OR 97302
 - ***Toll Free: (877) 850-9982 Tel: (503) 588-7227***

Round-Slide vs. *Flat-Slide* vs. Butterfly Throttle Valves

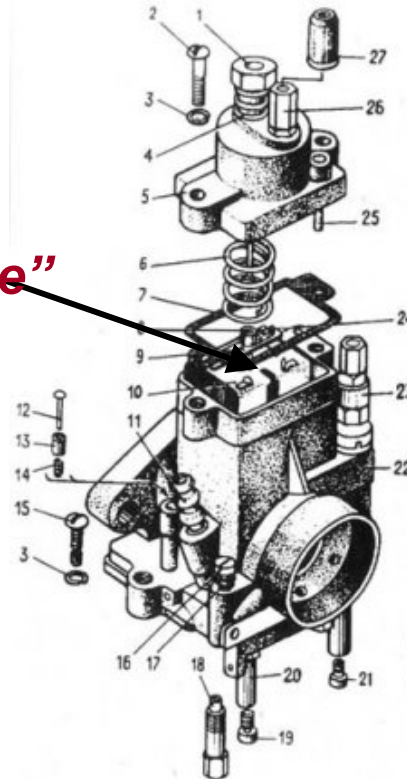
- **Round-Slide Throttle Valve**

- K-37, PZ-28, K-38
- Kaptex VDC-RAM
- K-68
- Mikuni VM-28
- Jikov 2928



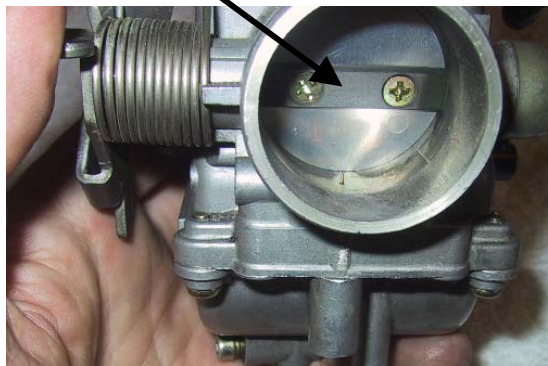
- **Flat-Slide Throttle Valve**

- K-301 / K-302
- K-62 / K-63 / K-65
- Raceway Services* “High-Performance”



- **Butterfly Throttle Valve**

- Keihin CVK32



One term describing carburetors is round-slide, *flat-slide* or butterfly throttle valves.

Flange-Mount vs. **Spigot-Mount**

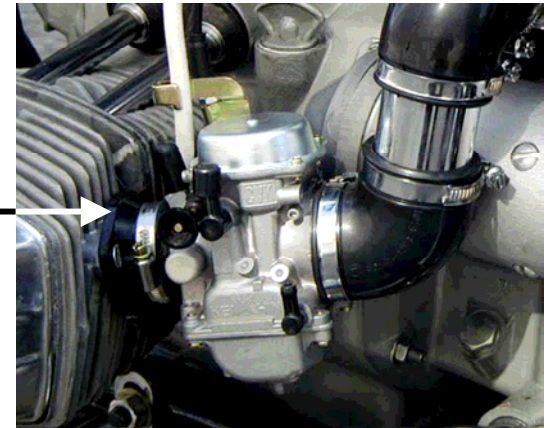
- **Flange-Mount**

- Bolts Directly on Cylinder Head or Adapter
- K-37, PZ-28, K-38,
- K-301 / K-302
- K-62 / K-63 / K-65 / K-68
- Kaptex VDC-RAM



- **Spigot-Mount**

- Rubber Compliant Mount to Cylinder Head
- Mikuni VM-28
- Jikov 2928CE
- Keihin CVK32
- Raceway Services **“High-Performance”**



Another term describing carburetors is flange-mount or **spigot-mount**.

Ural 750 32mm, Flat-Slide “High Performance” Carburetor **(PN 10004) (www.racewayservices.com)**

- **32 mm Flat-Slide, High-Performance Carbs for the Ural 750 cc**
 - **Reversible Side Idle Speed Screws**
 - **Change Jets without Removing Fuel Bowl**
 - **Mounting Hardware Included**
 - **Various Sizes of Pilot, Needle and Main Jets Available**
 - **Carburetor Repair Parts Available**
 - **\$189.95 each**

**Air Bell Accepts Ural Air
Cleaner Elbows**

Throttle Cable Guide

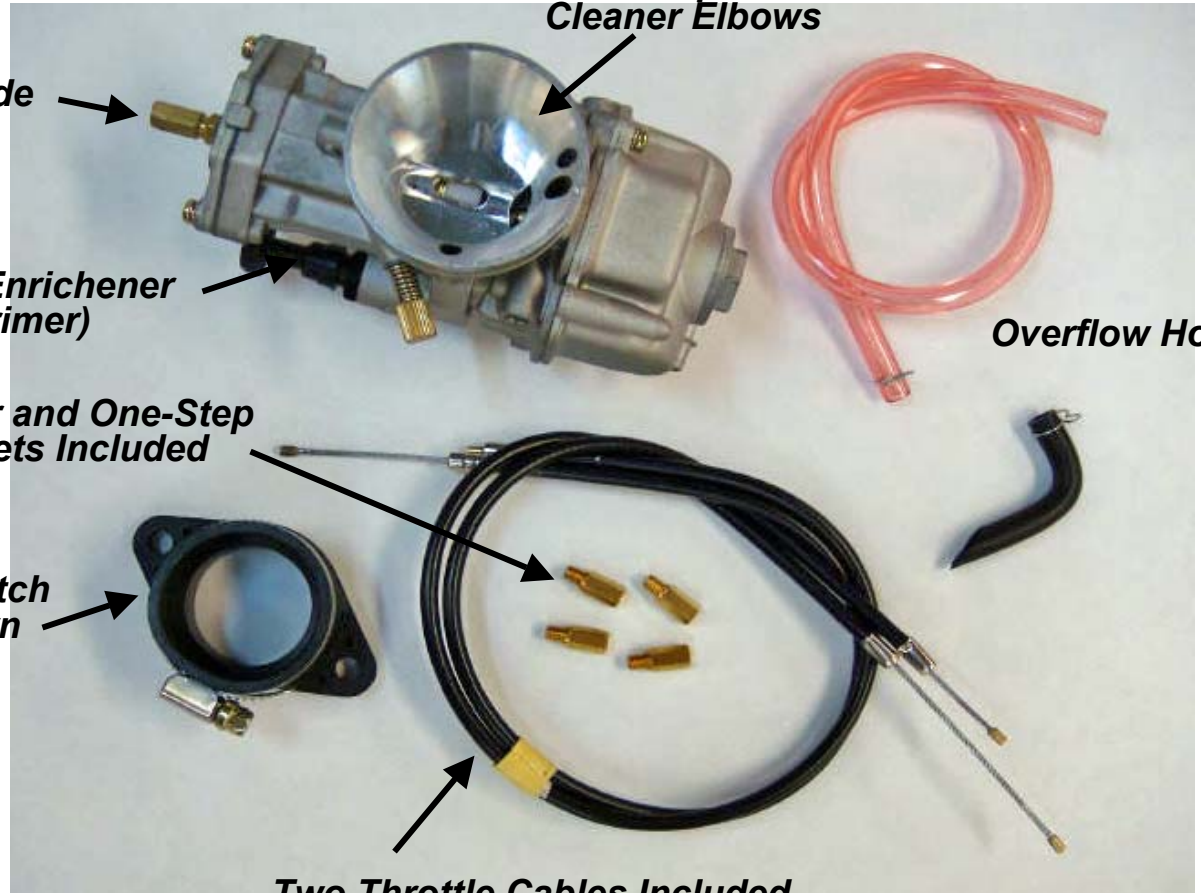
**Straight-Up Pull Enrichener
(cold-start primer)**

**One-Step Leaner and One-Step
Richer Main Jets Included**

**Rubber Manifold Boots Match
Ural Manifold Stud Pattern**

Overflow Hose

Two Throttle Cables Included



Ural/Dnepr 650, Chang Jiang, Early BMW Boxer 30mm, Flat-Slide “High Performance Carburetors” (PN 10005) (www.racewayservices.com)

- **30 mm, Flat-Slide, High-Performance Carbs for Ural 650, Dnepr 650, Chang Jiang and early BMW boxers**
 - **Straight-Up Pull Enrichener (cold-start primer)**
 - **Reversible Side Idle Speed Screws**
 - **CNC-Machined Aluminum Adapter Manifolds with O-Ring Seals**
 - **Supplied with Two 5’ Universal Throttle Cables**
 - **Correct Solder-On Cable Ends**
 - **Supplied with One-Step Richer & One-Step Leaner Main Jets**
- **Mounting Hardware Included**
- **\$189.95 each**



**Phenolic Heat-Blocks Available (at extra cost)
for Hot Climate Riding**

Overflow Hose



**Air Bell Accepts Ural Air
Cleaner Elbows**